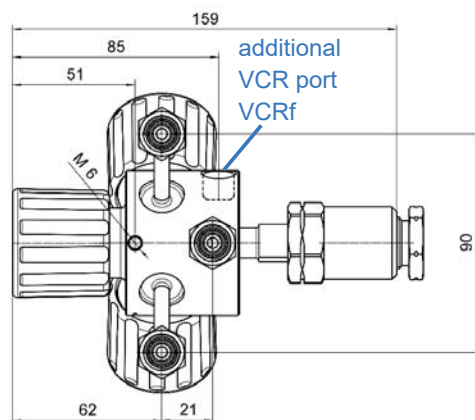


Purge block SBE3



SBE3-H-H-H-VCRf-0-DIN1



Product features

- Purge block for hazardous gases and ultra high purity gases from grade 6.0
- Minimized purge volume of only 2,6 cm³
- Capillary tube allows purging into the cylinder valve
- Metal-to-metal seal to atmosphere
- All gas-wetted parts made of stainless steel SS316L, Hastelloy C276 and PCTFE or PVDF respectively
- Fully functional even when valves are evacuated
- Minimum particle generation, as no parts are exposed to friction and no spring is in the gas-wetted area
- Embedded soft seat seal made of PCTFE permits frequent operation without loss of tightness
- Modular design for easy replacement of internal parts
- Clearly legible position indication (on/off)
- Electro-polished surfaces (gas wetted)
- 100 % Helium leak tested
- Shorter purge cycles due to minimized dead space
- Assembly in clean room class ISO 5.0

Technical data

Working pressure

Manual valve:	max. 300 bar
Pneumatic valve:	max. 25 / 100 / 200 / 300 bar

Materials

Body:	Stainless steel 1.4404
Diaphragms:	Hastelloy C276
Other gas-wetted parts:	Stainless steel 1.4404
Valve seat:	PCTFE or PVDF (gas depending)

Surface roughness

(gas-wetted area)	$R_{a,max} \leq 0.25 \mu\text{m}$
	$R_{a,Avg} \leq 0.18 \mu\text{m}$

Temperature range

-30°C to +60°C

Leak rates

to atmosphere:	$\leq 10^{-9}$ mbar l/s He
via seat:	$\leq 10^{-6}$ mbar l/s He

c_v-value

$c_v = 0.13$ ($k_v = 0.11$)

Nominal size

DN 3

Weight

1.7 kg
with manual valves

Dimensions with pneumatic actuator (in mm)

Pneumatic actuator	NC			NO		
	A	B	C	A	B	C
PN 25	82	85	97	74	77	86
PN 100	87	91	114	80	83	103
PN 200	93	98	123	86	90	112
PN 300	104	110	140	97	102	129

Technical data pneumatic actuators

Actuator pressure

6 to 8 bar

Actuator connector

for hose \varnothing 4 mm

Pneumatic function

- normally closed (NC)
- normally open (NO)

Option

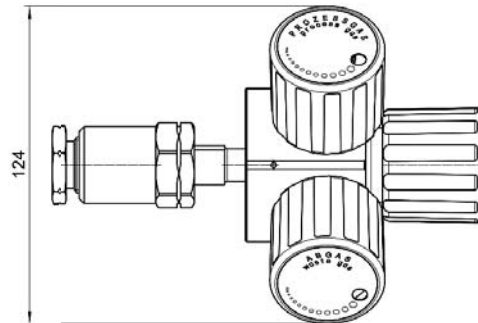
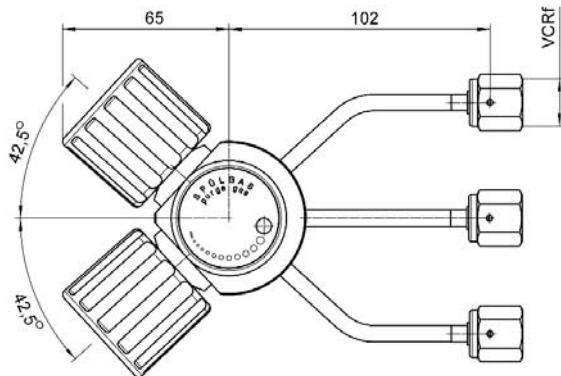
Inductive proximity switch

Purge block SBE3

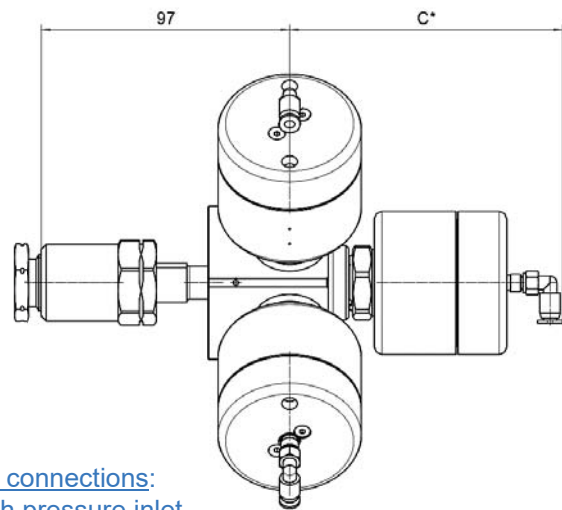
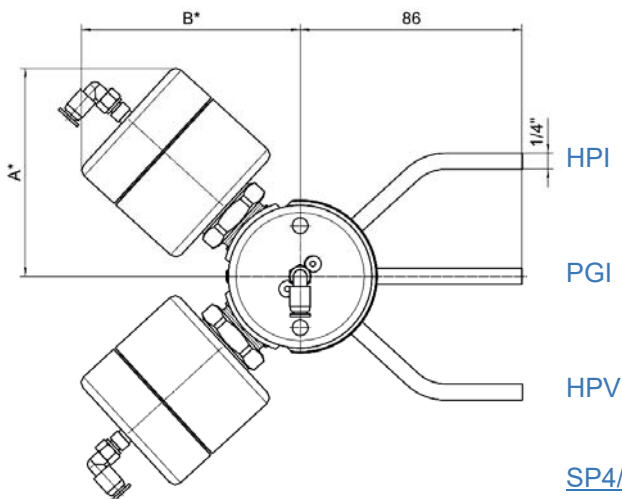
spectro pur

Dimensions

SBE3-H-H-H-VCRf-0



SBE3-PN25NC-PN25NC-PN25NC-OD1/4-0



*see table on page 1

SP4/6-SBE connections:

- HPI High pressure inlet
- PGI Purge gas inlet
- HPV High pressure vent

Ordering information: Purge block SBE3

SBE3 - PN25NC - H - H - VCRf - B - DIN6

Process gas valve

Purge gas valve

Waste gas valve

- H** manual valve
- PN** pneumatic actuator PN 25/100/200/300
- PNI** pneumatic actuator PN 25/100/200/300 with inductive proximity switch
- N...** pneumatic actuator NO/NC

Cylinder connection

Detailed description of the cylinder connection

Additional VCR port

- 0** 1/4"-VCR female
- B** plug
- M** pressure gauge
- K** contact pressure gauge
- PT** pressure transmitter

In- / Outlets

- VCRm** 1/4"-VCR male
- VCRf** 1/4"-VCR female
- OD 1/4** tube stub 1/4"