

Diaphragm shut-off valves MV3-E

spectro**cem**



MV3-DV-H-E-NPTF1/4



MV3-DV-PN25/100/300-E-NPTF1/4

Product features

- Stainless steel diaphragm valves for manual or automatic (pneumatic) shut-off
- For corrosive gases and gas mixtures up to quality 6.0
- Diaphragm metal-to-metal sealed to atmosphere
- Laboratory style design
- Ergonomically designed
- In- and outlet filter
- Suitable for up to 300 bar pressure
- Approved for use with oxygen
- Fully functional under vacuum
- Manual valve with position indicator

- Pneumatic actuator optional for 25, 100, 200 and 300 bar line pressure
- Variable installation position
- Position indicator

Technische Daten

Operation pressure	max. 300 bar
Nominal diameter	4 mm
Materials	
Body:	stainless steel 1.4404
Diaphragm:	Hastelloy C276
Valve seat:	PCTFE
Filter:	stainless steel 1.4404
In- / Outlet	1/4"-NPT female
Temperature range	-20°C to +60°C
Leak rate	≤10 ⁻⁸ mbar l/s He
c_v-value	c _v = 0,33 / 0,09*
Weight	0,5 kg

*with filter (must be installed for the use of oxygen)

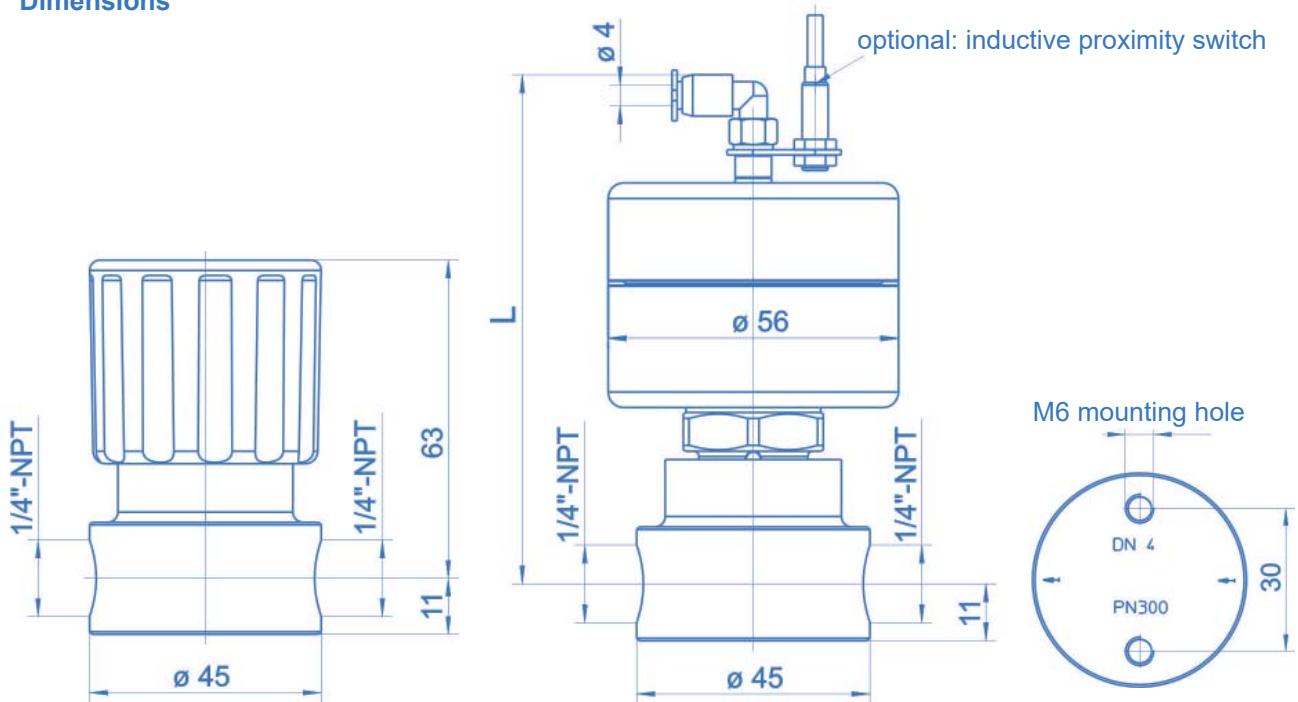
Technical data pneumatic actuators

Actuator pressure	6 to 8 bar
Actuator connector	for hose Ø 4 mm
Pneumatic function	- normally closed (NC) - normally open (NO)
Option	inductive proximity switch

Diaphragm shut-off valves MV3-E

spectro**cem**

Dimensions



Dimensions with pneumatic actuator

Pneumatic actuator	L [mm]	
	NC	NO
PN 25	108	98
PN 100	116	106
PN 200	125	115
PN 300	142	132

Ordering information: valves series MV3-E

MV3 - DV - H - E - NPTF1/4

Type

DV globe valve (2 ports)

Other types upon request

Valve

H manual valve

PN... pneumatic actuator PN 25/100/200/300
PNI... pneumatic actuator PN 25/100/200/300 with inductive proximity switch
N... pneumatic actuator **NO / NC**