



**Tapping point pressure regulator
ET2000-40-10-NFG**

Product features

- Ergonomically designed tapping point pressure regulator
- For non corrosive technical gases
- Approved for use with oxygen
- Single-stage type with high control accuracy
- Outlet pressure limitation by special adjustment
- Central filter in the regulator
- Safety pressure gauge acc. to DIN EN ISO 5171
- Compact design

Technische Daten

Type	single-stage
Inlet pressure P₁	max. 40 bar max. 1,5 bar (acetylene)
Max. outlet pressure P₂	1,5 / 2,5 / 10 / 20 bar
Materials	
Body:	brass
Diaphragm:	EPDM
Valve cone:	PA
Connectors	
Inlet NFG, O ₂ :	G 3/8" union nut
FG, C ₂ H ₂ , Flux:	G 3/8" LH union nut
Outlet NFG, O ₂ :	G 1/4" + gland 6mm
FG, C ₂ H ₂ , Flux:	G 3/8" LH + gland 9mm
Temperature range	-20°C to +60°C
Leak rate	≤10 ⁻⁴ mbar l/s He
Weight	ca. 1,3 kg

Flow rates Q [m³/h] ET2000

The table below indicates approximate values for the flow rate in standard cubic meters of air at the indicated operating conditions. The flow rates for other gas types may be calculated using the conversion factors from the table on the right.

For detailed flow rate calculations please refer to our data sheet "Performance diagram".

Inlet pressure P ₁ [bar]	Flow rate Q at P ₂ [bar] for air					
	0,5	1	3	6	10	20
40	5	15	30	40	50	60
20	5	15	20	25	30	-
10	5	15	15	15	-	-
5	5	10	10	-	-	-

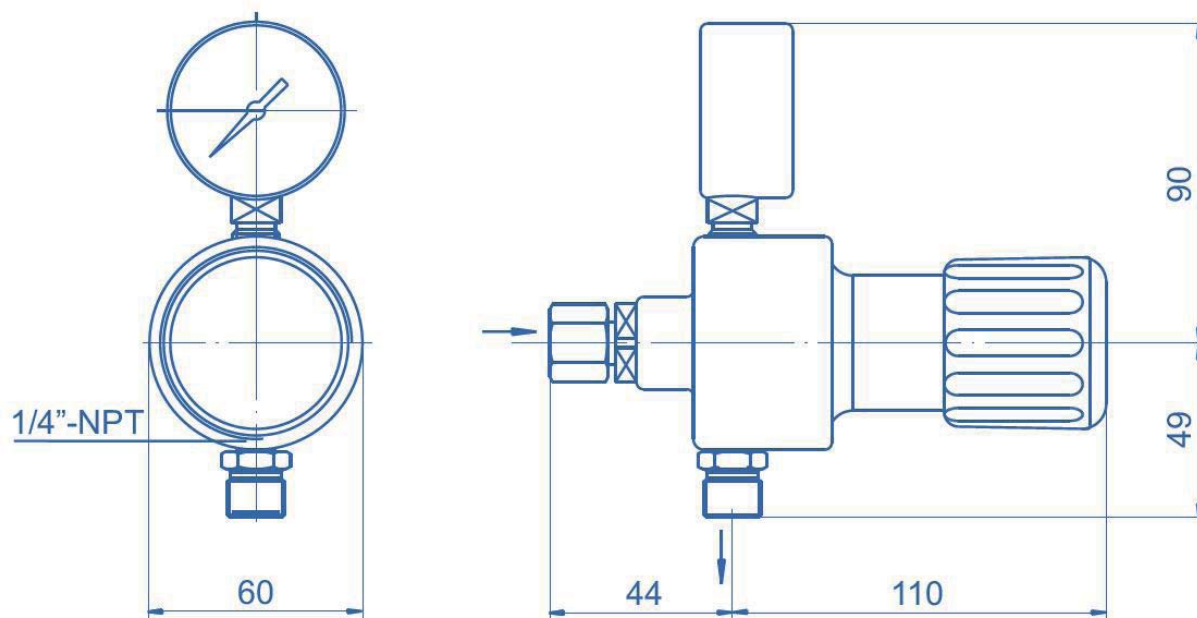
Inlet pressure P ₁ [bar]	Flow rate Q at P ₂ [bar] for air		
	0,3	0,5	1
1,3	0,2	0,5	1

Conversion factors

Gas type	factor
Argon	0,85
Helium	2,69
Carbon dioxide	0,81
Oxygen	0,95
Nitrogen	1,02
Hydrogen	3,79

Performance factor L₁₀ = 3

Dimensions



Ordering information: Pressure regulator ET2000

ET2000 - 40 - 10 - NFG

Outlet pressure P ₂		Gas type				
		O ₂ oxygen	NFG non flammable gases	FG flammable gases	C ₂ H ₂ acetylene	Flux Gasflux
1,5	max. 1,5 bar	71705891	71705895	71705899	71705890	71705921
2,5	max. 2,5 bar	71705892	71705896	71705900		
10	max. 10 bar	71705893	71705897	71705901		
20	max. 20 bar	71705894	71705898	71705902		

Article number

Other glands and union nuts						
hose	thread	gland	hose	thread	gland	union nut
6 mm	G 1/4"	70050050	8 mm	G 3/8"	47140770	G 1/4" 70050030
8 mm	G 1/4"	72318928	9 mm	G 3/8"	47140090	G 3/8" 70050130
			10 mm	G 3/8"	72217034	G 3/8"LH 70050040