



Tapping point ET2000V

Product features

- Tapping point for wall mounting
- For gas supply from top or bottom
- For non-corrosive industrial Gas
- Tested for use with oxygen
- Single-stage type with high control accuracy
- Outlet pressure limitation by special adjustment
- Central filter in the pressure regulator
- Safety pressure gauge acc. to DIN EN 562
- Compact design
- Light weight

Technical data

Type	single-stage
Inlet pressure P₁	max. 40 bar max. 1,5 bar (acetylene)
Outlet pressure P₂	1,5 - 20 bar
Materials	
Body:	brass
Diaphragm:	EPDM
Valve cone:	PA
In- / outlets	
Inlet valve:	G 1/2" + soldering- or welding stub
Outlet	NFG, O ₂ : G 1/4" + gland 6 mm
	FG, C ₂ H ₂ , Flux: G 3/8"LH + gland 9 mm
Temperature range	-30°C to +60°C
Leak rate	<10 ⁻³ mbar l/s He
Weight	single: approx. 2,2 kg double: approx. 4,3 kg triple: approx. 6,5 kg

Flow rates pressure regulator ET2000:

air inlet press. P ₁ [bar]	flow rate [m ³ /h] at outlet pressure P ₂ [bar]					
	0,5	1	3	6	10	20
40	5	15	30	40	50	60
20	5	15	20	25	30	-
10	5	15	15	15	-	-
5	5	10	10	10	-	-

acetylene inlet press. P ₁ [bar]	flow rate [m ³ /h] at outlet press. P ₂ [bar]		
	0,3	0,5	1
1,3	0,2	0,5	1

For other gas types the flow rate must be multiplied with these factors:

oxygen	0.95
nitrogen	1.02
hydrogen	3.79
argon	0.85
carbon dioxide	0.81
helium	2.69

Tapping point ET2000V



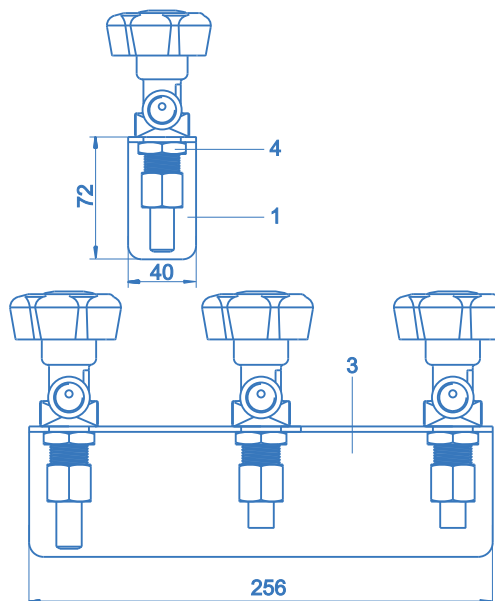
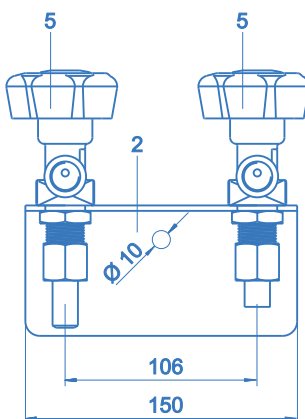
Dimensions and part numbers

Pressure regulators: see data sheets

Tapping point pressure regulator ET2000

Tapping point pressure regulator with flow indication ET2000 Flow

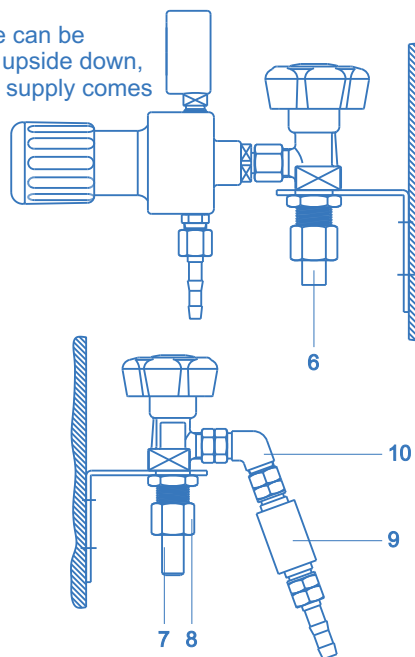
Bracket and lock nut for	part number	pos.
1 valve	666.12340	1+4
2 valves	718.34311	2+4
3 valves	718.34312	3+4



Shut off valve (inlet G 1/2" RH male)

gas type	part number	pos.
oxygen + non flammable gases G 3/8" RH	718.03095	5
acetylene G 3/8" LH	718.03096	5
fuel gas G 3/8" LH	718.03097	5

The valve can be mounted upside down, if the gas supply comes from top.

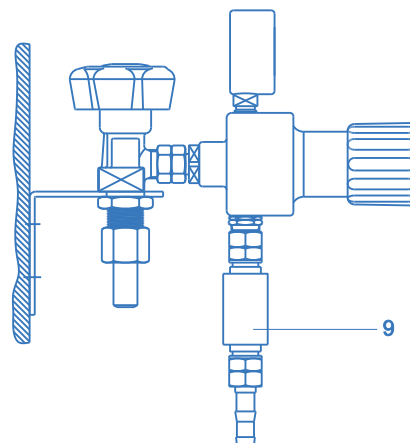
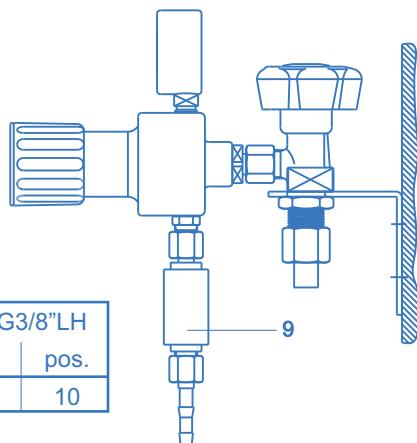


Connections for valve inlet G 1/2"

pipe Ø	stub	union nut	pos.	part number
12 x 1 copper	soldering stub	union nut G 1/2"	6+8	666.12327
15 x 1 copper	soldering stub	union nut G 1/2"	6+8	718.25103
14 x 2 steel	welding stub	union nut G 1/2"	7+8	718.25971

Safety devices

gas type	thread	part number	pos.
oxygen	G 1/4"	0.463.291	9
	G 3/8"	0.463.330	9
fuel gas	G 3/8" LH	0.463.290	9



Elbow fitting for fuel gas 2 x G3/8"LH

gas type	part number	pos.
fuel gas	053.08240	10