



DVM-8-NPTF1/4-SA



DVM-13-NPTF1/2



DVM-19-NPTF3/4



DVM-8-OD6

Product features

- Brass diaphragm valves for manual shut-off
- For non corrosive gases up to quality 6.0
- Diaphragm metal-to-metal sealed to atmosphere
- Laboratory style design
- Ergonomically designed
- Suitable for up to 40 bar pressure
- Approved for use with oxygen
- Fully functional under vacuum
- DVM-8 optional with position indicator

Technical data

Operating pressure

DN8 / DN13:	max. 40 bar
DN19:	max. 25 bar

Seat diameter	8 / 13 / 19 mm
----------------------	----------------

Materials

Body:	chrome plated brass
Diaphragm DN8:	stainless steel 1.4571
Diaphragm DN13 / DN19:	stainless steel 1.4310

In- / outlet	see dimensions
---------------------	----------------

Temperature range	-20°C to +60°C
--------------------------	----------------

Leakrate (to atmosphere):	≤ 10 ⁻⁸ mbar l/s He
(via valve seat):	≤ 10 ⁻⁶ mbar l/s He

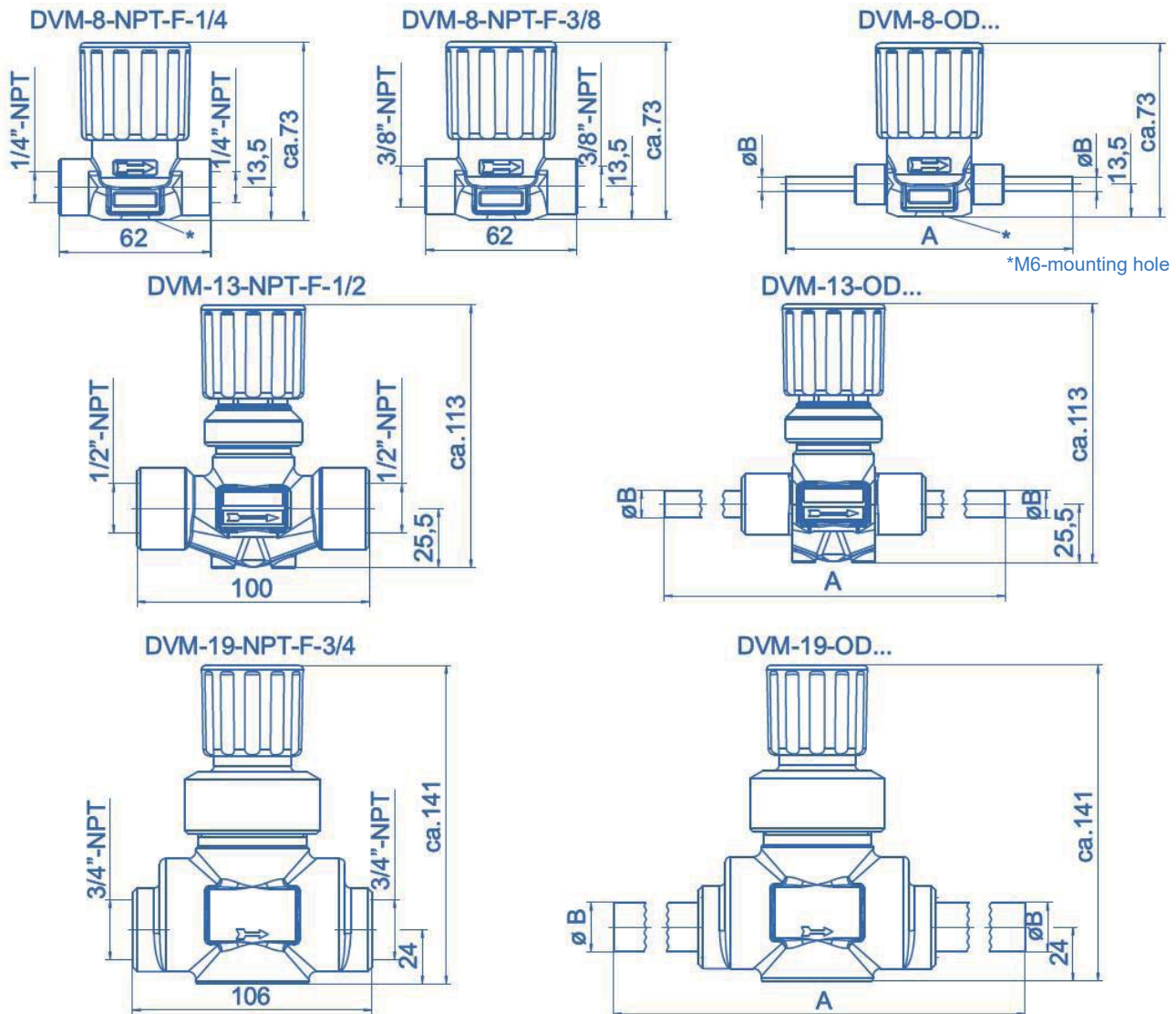
c_v-value DN8	1/4"-NPT:	1,47
	3/8"-NPT:	1,47
	tube 6x1 mm:	0,47

c_v-value DN13	2,1
c_v-value DN19	3,1

Diaphragm shut-off valves DVM

spectro lab

Dimensions



Ordering information: valves series DVM

DVM - 13 - NPTF1/2

Seat diameter

8 8 mm

13 13 mm

19 19 mm

In- / outlet

NPTF1/4* 1/4"-NPT female
NPTF3/8* 3/8"-NPT female
OD6* SS tube 6x1 mm
***...SA** with position indicator

NPTF1/2 1/2"-NPT female
OD12 SS tube 12x1 mm
OD15 SS tube 15x1 mm

NPTF3/4 3/4"-NPT female
OD... SS tube upon request