

Pressure control panel BE55/56-2U-VCR **spectro pur**



BE55-2U-VCR



BE56-2U-VCR

Product features

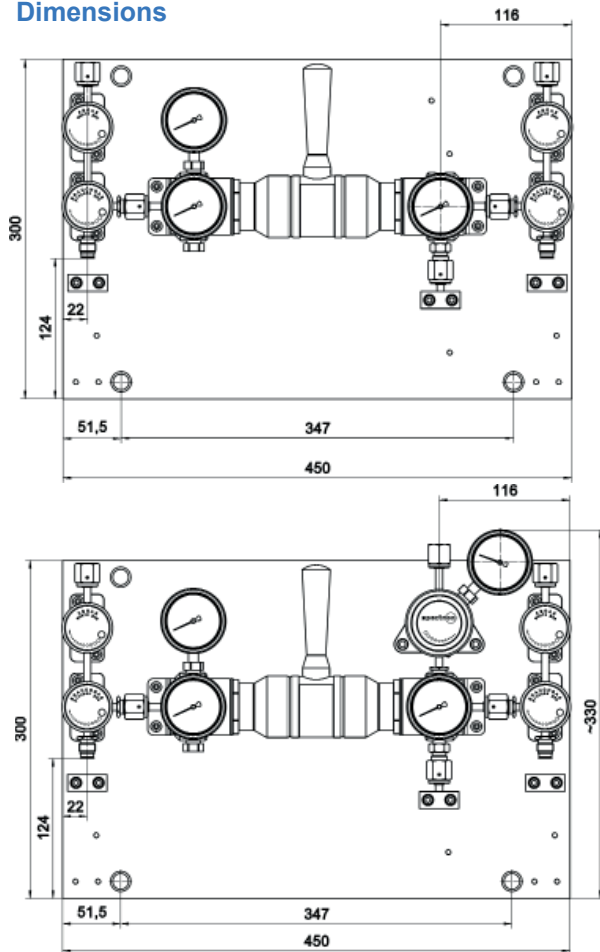
- Pressure control panel for corrosive gases and gas mixtures with corrosive components from grade 6.0
- Automatic switchover for 2 gas sources
- Single- or dual-stage version
- High control accuracy
- Pressure regulator with tied diaphragm
- Orbital welded VCR-connections
- Pre-filter
- Panel can be evacuated
- Burst disc
- High pressure waste gas valve (HPV)
- Inlet process gas valve (HPI)
- Stainless steel valves for manual or automatic (pneumatic) shut-off
- 100 % Helium leak tested
- Assembly in clean room class ISO 5.0

Technical data

Inlet pressure P_1	max. 300 bar
Outlet pressure P_2	max. 1,5 / 4 / 10 bar
Materials	
Body:	Stainless steel 1.4404
Diaphragms:	Hastelloy C276
Other gas wetted parts:	Stainless steel 1.4404
Sealings	
BE55 ($P_1 \leq 50$ bar) or 2. stage BE56:	PTFE
BE55 ($P_1 > 50$ bar) or 1. stage BE56 and valves:	PCTFE or PVDF
Surface roughness (gas wetted areas)	$R_{a,max} \leq 0,25 \mu\text{m}$
Temperature range	-20°C to +60°C
Leak rate	
to atmosphere:	$\leq 10^{-9}$ mbar l/s He
via valve seat:	$\leq 10^{-6}$ mbar l/s He
c_v-value	$c_v = 0,24$ ($k_v = 0,2$)
Weight	8,2 / 9,8 kg
Connectors	
Inlets:	VCR-male
Outlets:	VCR-female

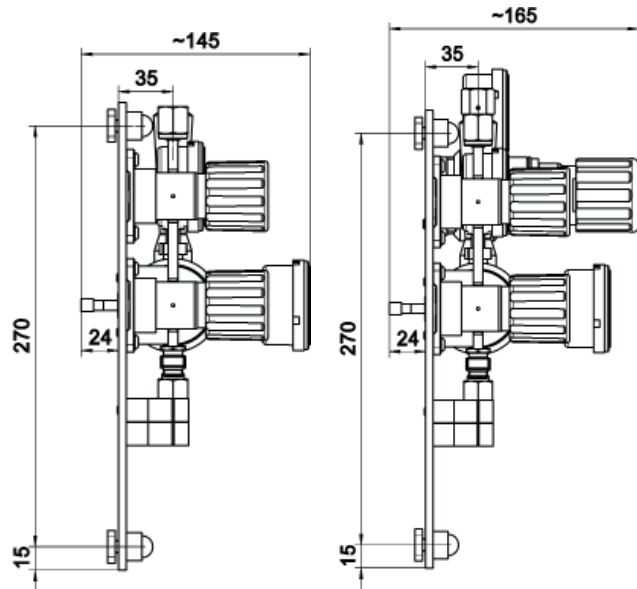
Pressure control panel BE55/56-2U-VCR **spectro pur**

Dimensions



BE55-2

BE56-2



Ordering information: Pressure control panel BE55/56-2U-VCR

BE55-2U-VCR - 300 - 10 - V - V - M - M - BD - Gas

Pressure regulator*

0	w/o regulator upon request
55	1-stage pressure regulator
56	2-stage pressure regulator

Inlet pressure P_1^*

10	max. 10 bar
20	max. 20 bar
50	max. 50 bar
100	max. 100 bar
200	max. 200 bar
300	max. 300 bar

Outlet pressure P_2^*

1,5	max. 1,5 bar
4	max. 4 bar
10	max. 10 bar

* 55 $P_1 \leq 50 \text{ bar} \rightarrow P_2: 1,5 / 4 \text{ bar}$
 $P_1 > 50 \text{ bar} \rightarrow P_2: 10 \text{ bar}$

56 $P_1 \geq 50 \text{ bar}$

Downstream protection

BD	burst disc
BDM	burst disc + monitoring

Outlet pressure indication

Inlet pressure indication

M	pressure gauge
K	contact pressure gauge
PT	pressure transmitter

High pressure waste gas HPV

Process gas inlet HPI

V	valve (manual)
VQ	1/4-turn valve
VP	pneumatic valve (NC)