

Pressure regulator ZT300

spectro**tec**



Pressure regulator ZT300

Product features

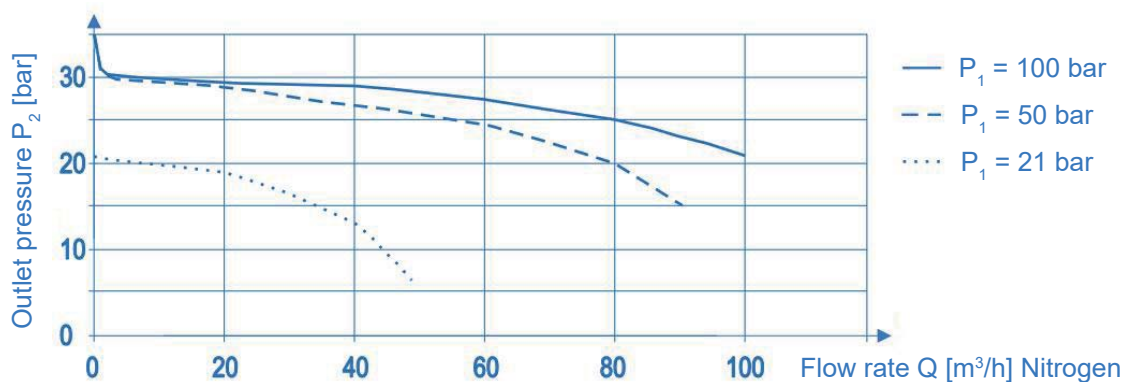
- Piston pressure regulator
- To be used for a 300 bar gas supply system
- For non-corrosive technical gases
- Outlet according to cylinder connection DIN 477-1 available *
- Central filter in the pressure regulator
- Safety pressure gauge acc. to DIN EN ISO 5171
- Pressure regulator with integrated relief valve

* other connections upon request

Technical data

Type	single-stage
Inlet pressure P_1	max. 300 bar
Outlet pressure P_2	max. 45 bar
Flow rate Q	max. 100 m ³ /h
Materials	
Body:	brass
Bonnet:	brass
Piston:	brass
Valve seat:	PA
Connections	
Inlet:	1/4"-NPT female or cylinder connection
Outlet:	1/4"-NPT female or thread for cylinder connection
Pressure gauge port:	G 1/4" female
Outlet relief valve:	1/8"-NPT female
Temperature range	-20°C to +60°C
Leak rate	≤10 ⁻⁴ mbar l/s He
Weight	ca. 1,2 kg
without connections:	ca. 0,7 kg

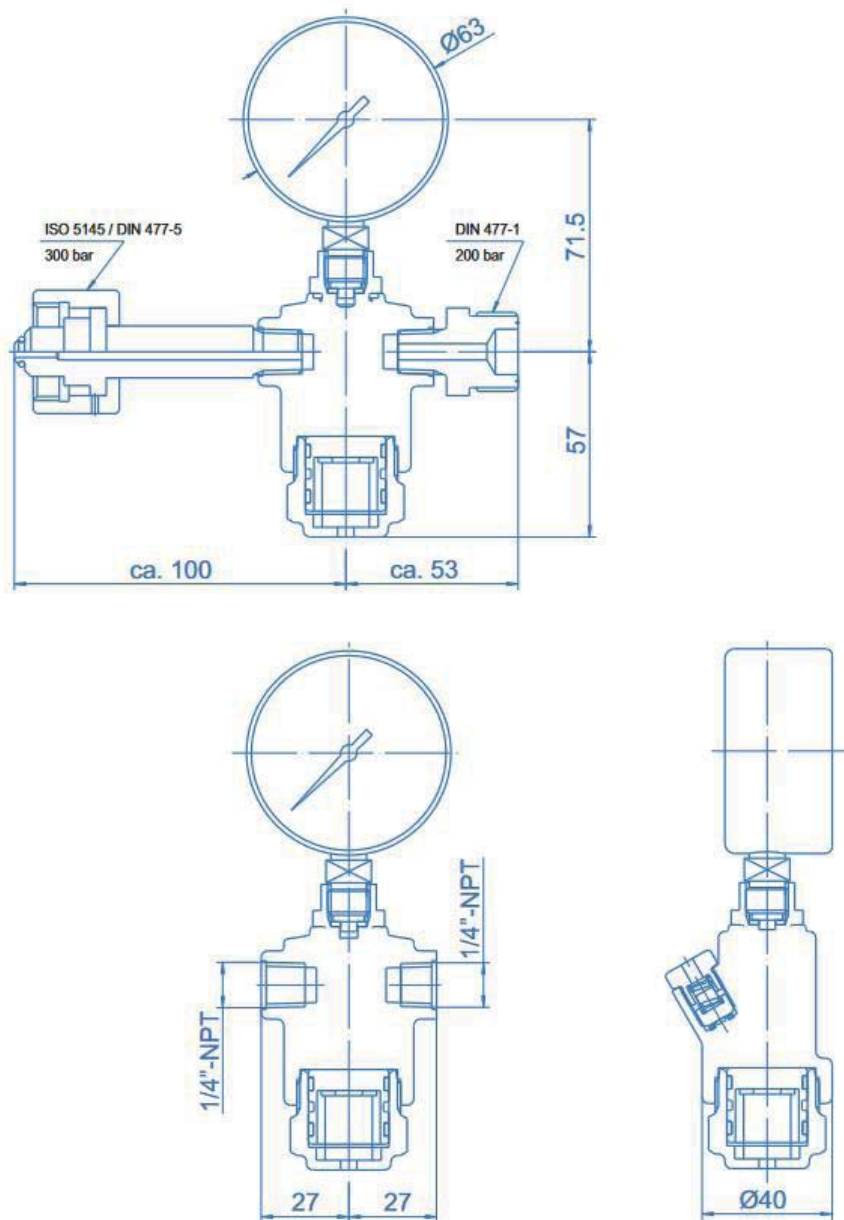
Flow rates



Pressure regulator ZT300

spectro**tec**

Dimensions and connections



Article numbers: Pressure regulator ZT300

Inlet (300 bar)

1/4"-NPT female
ISO 5154 No. 31 / DIN 477-5 No. 56
ISO 5154 No. 32 / DIN 477-5 No. 59
ISO 5154 No. 30 / DIN 477-5 No. 54
ISO 5154 No. 30 / DIN 477-5 No. 54
ISO 5154 No. 38 / DIN 477-5 No. 57

Outlet (200 bar-thread)

1/4"-NPT female
CA / compressed air
O₂ / Oxygen
N₂ / Nitrogen
rare gases
H₂ / Hydrogen

Article number

71709377
71709430
71709429
71709428
71709431
71709432