

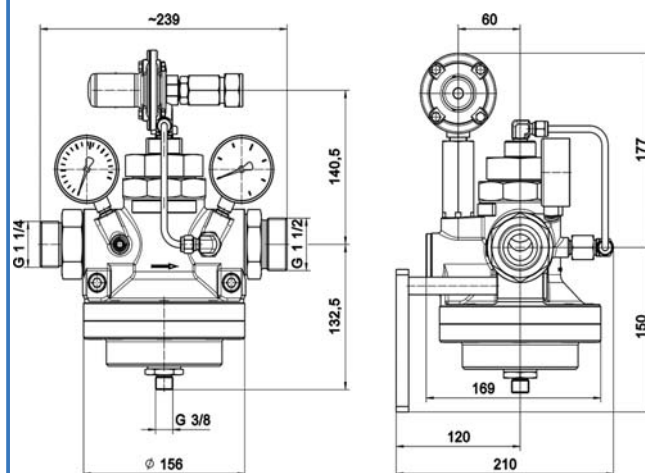
Pressure regulator U43F-AC

spectro tec



Pressure regulator U43F-AC for acetylene

Dimensions with wall bracket 512.45350



Product features

- Dome loaded diaphragm line pressure regulator
- Remote controlled pressure regulation (e.g. process control or cutting machines)
- For flow rates up to 390 m³/h acetylene
- Pressure control with separate gas by small pressure regulator ST 2000
- Single-stage with compensated main valve for very high control accuracy
- Outlet pressure reduction by venting valve VV at pilot pressure regulator ST 2000
- Central filter in the pressure regulator
- Pressure regulator including over pressure valve SV73
- Wall brackets as accessory available
- Successful type test according to EN ISO 15615 incl. acetylene decomposition test at Federal Institute for Materials Research and Testing (BAM)

Technical data

Type	single-stage with compensated main valve
Inlet pressure P₁	max. 25 bar
Outlet pressure P₂	1.5 bar
Materials	
Body:	brass
Diaphragm:	EPDM
Valve seat:	PTFE
Flow rates	see table below
Connections	
Inlet:	G 1 1/4" male
Outlet:	G 1 1/2" male
Pressure gauge ports:	G 1/4" female
Outlet over pressure valve:	G 1/2" male w/ 18 mm compression ring fitting
Pilot pressure inlet:	G 3/8" male
Temperature range	-20°C to +60°C
Leak rate	<10 ⁻⁴ mbar l/s He
Weight	ca. 15 kg

Ordering information: U43F-AC-25-1,5

Art.-No.: 60BE0030

Performance factor L₁₀ = 10,5

Approximate flow rates

Inlet pr. P ₁	Flow rate [m ³ /h] at outlet pressure P ₂			
	0,5 bar	1 bar	1,2 bar	1,5 bar
18 bar	200	295	350	390
10 bar	195	290	305	320
7 bar	165	230	240	245
4 bar	130	150	152	152
2 bar	80	85	97	87