

# Pneumatic pressure regulator U12 E



Pressure regulator U12 E - G 1 m

## Product features

- Dome loaded diaphragm line pressure regulator
- For non corrosive industrial gases
- Remote controlled pressure regulation (e.g. process control or cutting machines)
- For flow rates up to 300 m<sup>3</sup>/h air
- Pressure control with process gas by small pressure regulator ST2000
- Single-stage with high control accuracy
- Outlet pressure reduction by special vent hole in the diaphragm assembly
- Central filter in the pressure regulator
- Pressure regulator with integrated relief valve
- Wall brackets available as accessory
- Approved for use with oxygen

### Attention:

For the U12 special fittings with orifice holes have to be used to ensure a correct function of the pressure regulator.

## Technical data

<b>Type</b>	single-stage
<b>Flow rate Q</b>	max. 300 m <sup>3</sup> /h
<b>Inlet pressure P<sub>1</sub></b>	max. 40 bar*
<b>Outlet pressure P<sub>2</sub></b>	max. 4 ... 30 bar
<b>Materials</b>	
Body:	brass
Valve seat:	PA
Diaphragm:	NBR
<b>Connections</b>	
In- / outlet (body):	G 1/2" female
Pressure gauge ports (body):	G 1/4" female
Pressure gauge connection:	G 3/8" male
Outlet relief valve:	G 3/8" male
<b>Temperature range</b>	-20°C to +60°C
<b>Leak rate</b>	≤10 <sup>-4</sup> mbar l/s He
<b>Weight</b>	ca. 2,8 kg

\* higher inlet pressure upon request

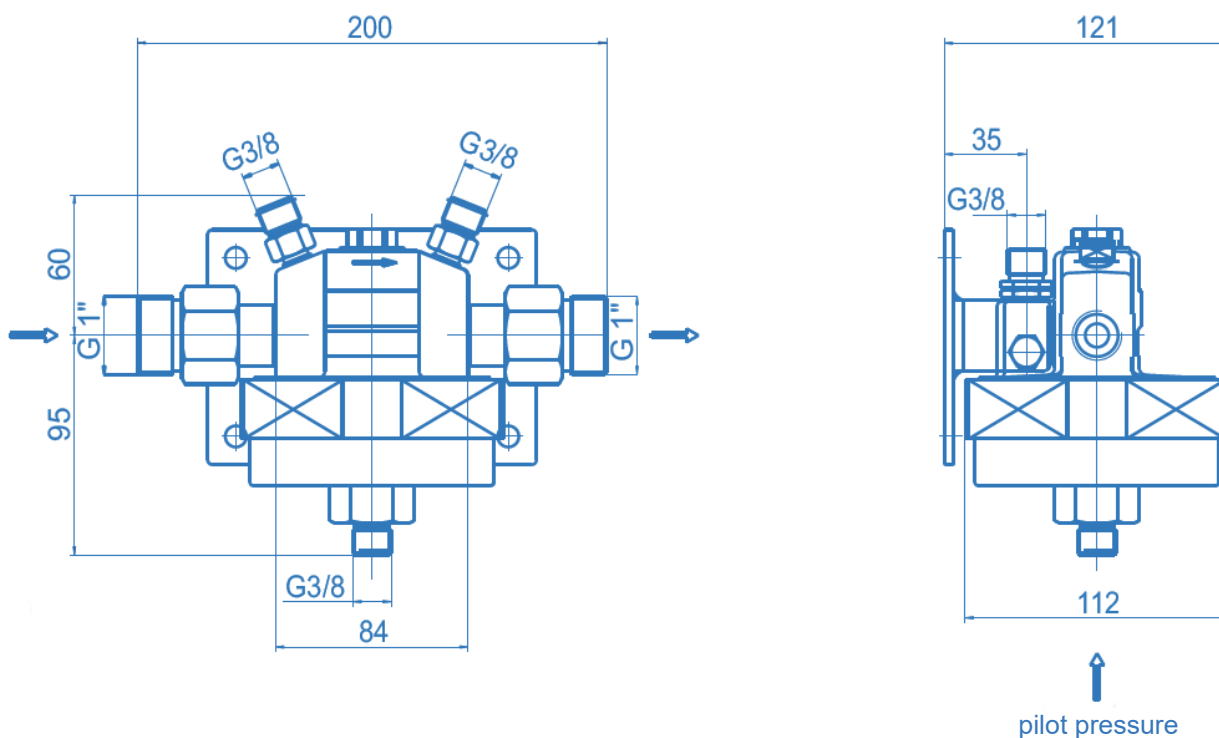
## Performance factors for evaluation of flow rates for pressure regulator U12 E

Performance factor	L <sub>5</sub> (5% pressure drop)	6
	L <sub>10</sub> (10% pressure drop)	7,5
	L <sub>max</sub>	9
Outlet pressure variations [%] relating to inlet pressure variation		2,7

The outlet pressure and accordingly the accuracy will be determined by the pilot pressure regulator ST2000 (see data sheet).

## Dimensions and connections

Dimensions with **wall bracket 512.07600**  
(as accessory available)



Ordering information: Pressure regulator U12

**U12 E - G 1/2 f**

In- and outlet fittings:  
see data sheet "fittings"

In- / outlet	Art.-no.
G 1/2 f G 1/2" female	717.08955
G 1 m G 1" male	717.00741

Diagram for process gas controlled dome loaded pressure regulator

