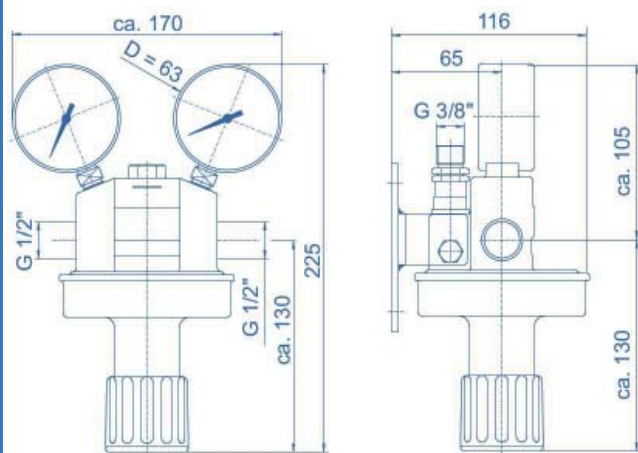


Pressure regulator U11AC

spectro**tec**



U11AC for acetylene



Dimensions

with wall bracket
512 07600

Product features

- Diaphragm line pressure regulator
- Specially for acetylene
- For flow rates up to 6 m³/h acetylene
- Single-stage with high control accuracy
- Central filter in the pressure regulator
- Safety pressure gauge acc. to DIN ISO 5171
- Wall bracket as accessory available

Attention:

For the pressure regulator U13 special outlet fittings with orifice holes have to be used to ensure a correct function of the regulator.
see: data sheet "Fittings"

Technical data

| | |
|--------------------------------------|-------------------------------|
| Type | single-stage |
| Flow rate Q | max. 6 m ³ /h |
| Inlet pressure P₁ | max. 1.5 bar |
| Outlet pressure P₂ | max. 1.5 bar |
| Materials | |
| Body: | brass |
| Bonnet: | Alu, powder coated |
| Valve seat: | PA |
| Diaphragm: | EPDM |
| Connections | |
| In- / outlet: | G 1/2" female |
| Pressure gauge ports: | G 1/4" female |
| Temperature range | -20°C to +60°C |
| Leak rate | ≤10 ⁻⁴ mbar l/s He |
| Weight | ca. 2.5 kg |

Flow rates and Performance factor

| U11AC | Flow rate Q [m ³ /h] at P ₂ [bar] | | | |
|----------------|---|---|-----|-----|
| | 0,5 | 1 | 1,2 | 1,5 |
| P ₁ | | | | |
| 1,5 bar | 1 | 3 | - | - |
| 1,0 bar | 2 | 4 | 5 | 6 |

Article number

U11W6L-AC-1,5-1,5 500 96960

Performance factor L₁₀ = 4