

# Panel / Line regulator M52-2

spectron lab



Line pressure regulator LM52-2



Example: PM52 panel mounted

## Product features

- Single-stage line pressure regulator or for panel and panel surface mounting with compensated main valve and anti-vibration device
- For non-corrosive gases and gas mixtures up to quality 6.0
- 2 ports for flexible and individual configuration
- Very high control accuracy
- Metal-to-metal seal to atmosphere
- Central filter
- Approved for use with oxygen
- New laboratory-style design
- Suitable for ECD-applications
- Pressure regulator can be evacuated

## Technische Daten

**Inlet pressure  $P_1$**  max. 300 bar

**Max. outlet pressure  $P_2$**  1,5 / 4 / 10 / 20 bar

### Materials

Body: chrome-plated brass  
 Diaphragm: Hastelloy C276  
 Valve seat: PA  
 Soft goods: FPM, EPDM  
 Filter: stainless steel 1.4404

**In- / outlets** 1/4"-NPT female

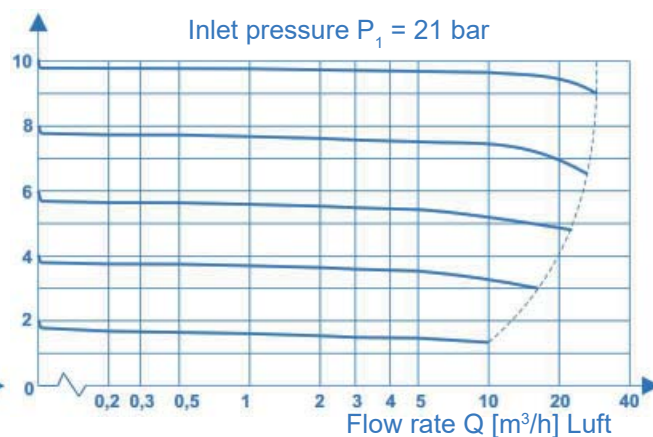
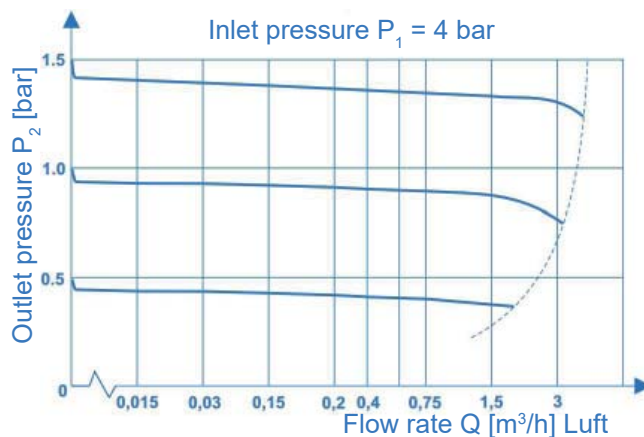
**Temperature range** -20°C to +60°C

**Leakrate** (to atmosphere):  $\leq 10^{-8}$  mbar l/s He  
 (via seat):  $\leq 10^{-6}$  mbar l/s He

**$C_v$  value** 0,16

**Weight** 1,0 kg

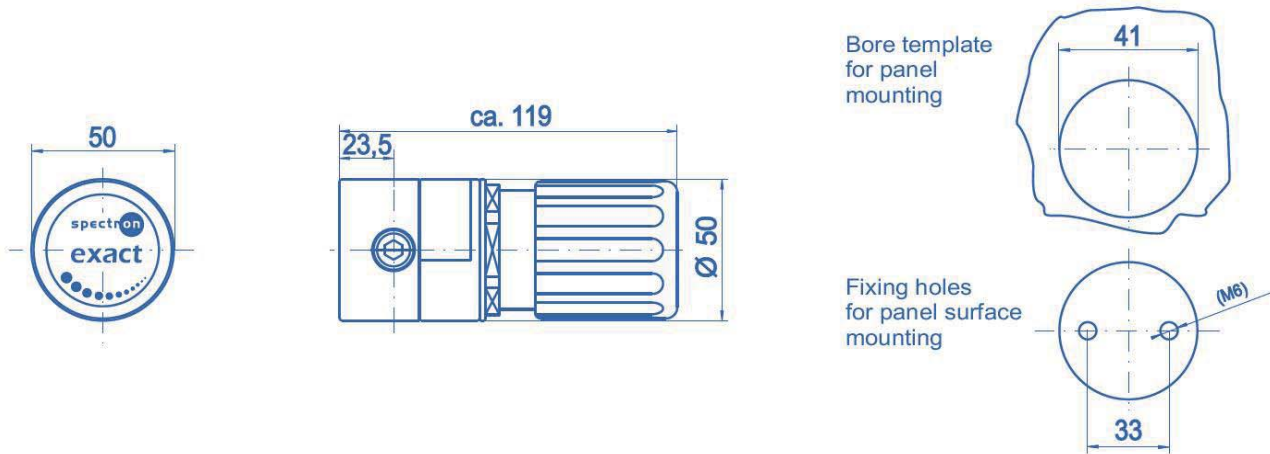
## Flow curves M52



# Panel / Line regulator M52-2

spectron lab

## Dimensions M52-2

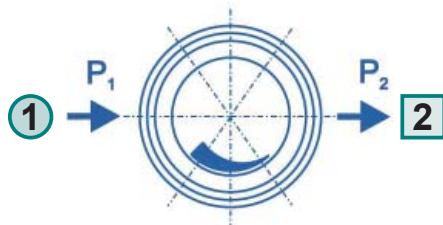


## Ordering information:

Pressure regulators M52-2

### In- / outlets

CM 1/4	1/8" / 1/4" / 1/2"-compression fitting (brass)
CM 6	3 / 6 / 8 / 10 / 12 mm - compression fitting (brass)
CE 1/4	1/8" / 1/4" / 1/2"-compression fitting (stainless steel)
CE 6	3 / 6 / 8 / 10 / 12 mm - compression fitting (stainless steel)
0	1/4"-NPT-F (port only)



Individual port selection

LM52 - 2 - 300 - 20 - 1 - 2 - H2

### Type

L	Line regulator
P	Panel regulator

### Inlet pressure P<sub>1</sub>

100	max. 100 bar
200	max. 200 bar
300	max. 300 bar

### Outlet pressure P<sub>2</sub>

1,5	max. 1,5 bar
4	max. 4 bar
10	max. 10 bar
20	max. 20 bar

### Gas type

Please specify gas type!

For inlet pressure up to 50 bar and outlet pressure of max. 1,5 or 4 bar please use M51.