

# Panel / Line regulator M51-2

spectron lab



Line pressure regulator LM51-2



Example: PM51 panel mounted

## Product features

- Single-stage diaphragm line pressure regulator or for panel and panel surface mounting with anti-vibration device
- For non-corrosive gases and gas mixtures up to quality 6.0
- 2 ports for flexible and individual configuration
- High control accuracy
- Metal-to-metal seal to atmosphere
- Central filter
- Approved for use with oxygen
- New laboratory-style design
- Suitable for ECD-applications
- Pressure regulator can be evacuated

## Technical data

<b>Inlet pressure <math>P_1</math></b>	max. 300 bar
<b>Max. outlet pressure <math>P_2</math></b>	1,5 / 4 ( $P_1 \leq 50$ bar) 10 / 20 / 50 / 100 / 200 bar ( $P_1 > 50$ bar)

## Materials

Body:	chrome-plated brass
Diaphragm:	Hastelloy C276
Valve seat:	PA
Soft goods:	FPM
Filter:	stainless steel 1.4404

**In- / outlets** 1/4"-NPT female

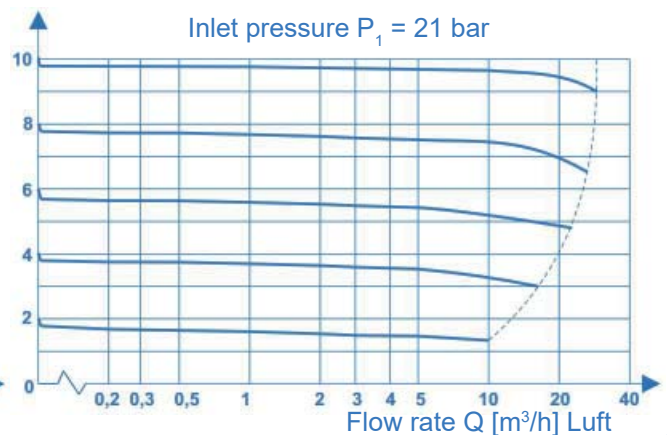
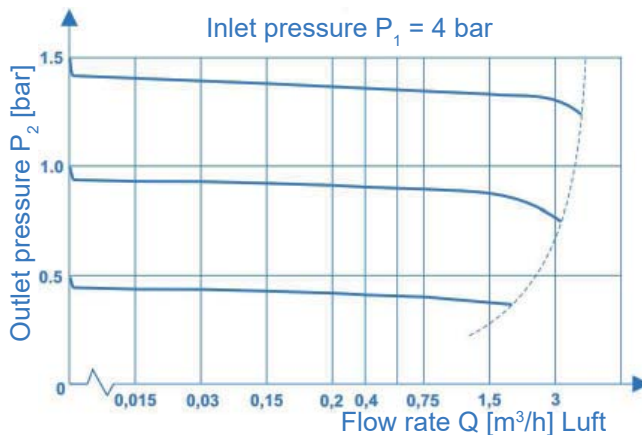
**Temperature range** -20°C to +60°C

**Leakrate (to atmosphere):**  $\leq 10^{-8}$  mbar l/s He  
(via seat):  $\leq 10^{-6}$  mbar l/s He

**$C_v$  value** 0,15

**Weight** 1,0 kg

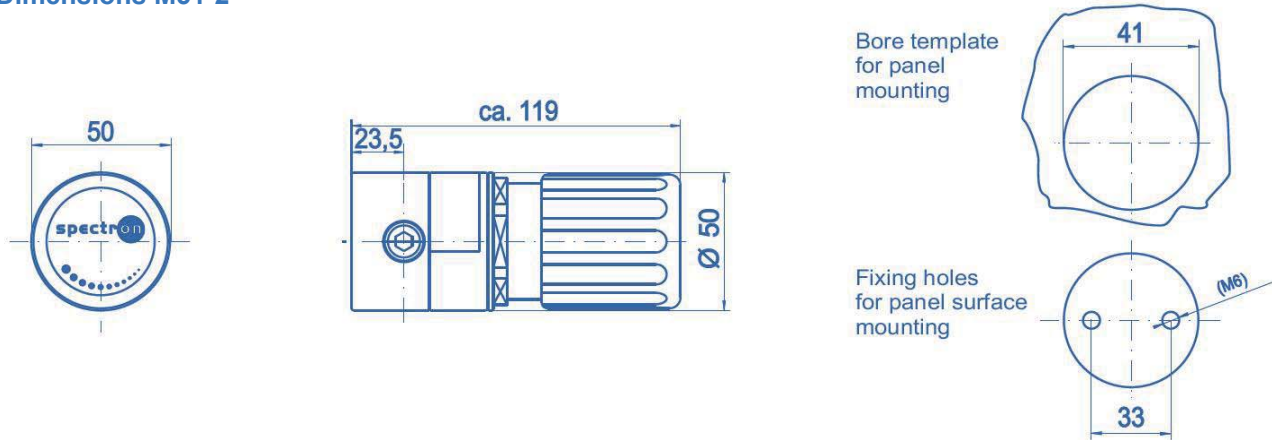
## Flow curves M51



# Panel / Line regulator M51-2

spectron lab

## Dimensions M51-2

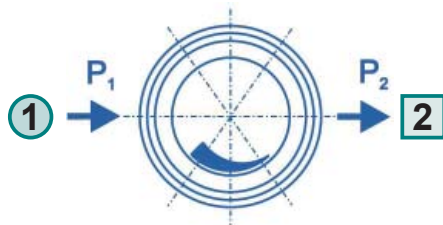


## Ordering information:

Pressure regulators M51-2

### In- / outlets

CM 1/4	1/8" / 1/4" / 1/2"-compression fitting (brass)
CM 6	3 / 6 / 8 / 10 / 12 mm - compression fitting (brass)
CE 1/4	1/8" / 1/4" / 1/2"-compression fitting (stainless steel)
CE 6	3 / 6 / 8 / 10 / 12 mm - compression fitting (stainless steel)
0	1/4"-NPT-F (port only)



Individual port selection

LM51 - 2 - 300 - 20 - 1 - 2 - H2

### Type

L	Line regulator
P	Panel regulator

### Inlet pressure P<sub>1</sub>

10	max. 10 bar
20	max. 20 bar
50	max. 50 bar
100	max. 100 bar
200	max. 200 bar
300	max. 300 bar

### Outlet pressure P<sub>2</sub>

1,5	max. 1,5 bar (P <sub>1</sub> ≤ 50 bar)
4	max. 4 bar (P <sub>1</sub> ≤ 50 bar)
10	max. 10 bar
20	max. 20 bar
50	max. 50 bar
100	max. 100 bar
200	max. 200 bar

### Gas type

Please specify gas type!