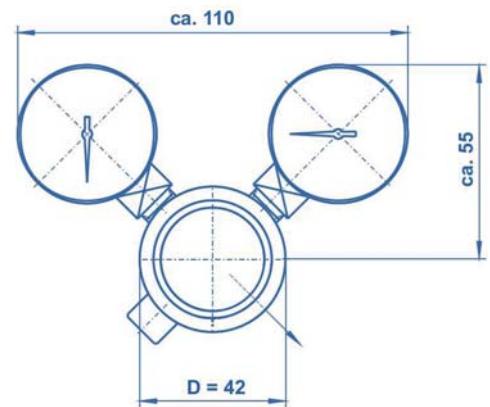


# Cylinder pressure regulator FM45

spectron lab



Cylinder pressure regulator FM45



Dimensions

## Product features

- Single-stage cylinder pressure regulator with compensated main valve
- Simple and safe gas withdrawal from gas cylinders, for non-corrosive gases and gas mixtures up to quality 6.0
- Very high control accuracy due to compensated main valve
- Compact design, light weight
- New laboratory-style design
- Ergonomically designed
- Including manual cylinder connection for non metal-to-metal sealing cylinder connection)
- Suitable for ECD applications
- Integrated relief valve
- Hastelloy diaphragm
- Minimised gas wetted surface

## Technical data

**Inlet pressure  $P_1$**  max. 230 bar

**Outlet pressure  $P_2$**  max. 1,5 / 4 / 10 bar

### Materials

Body: chrome plated brass

Diaphragm: Hastelloy C276

Valve seat: PCTFE\*

**Inlet** Cylinder connection

**Outlet** 1/8"-NPT female

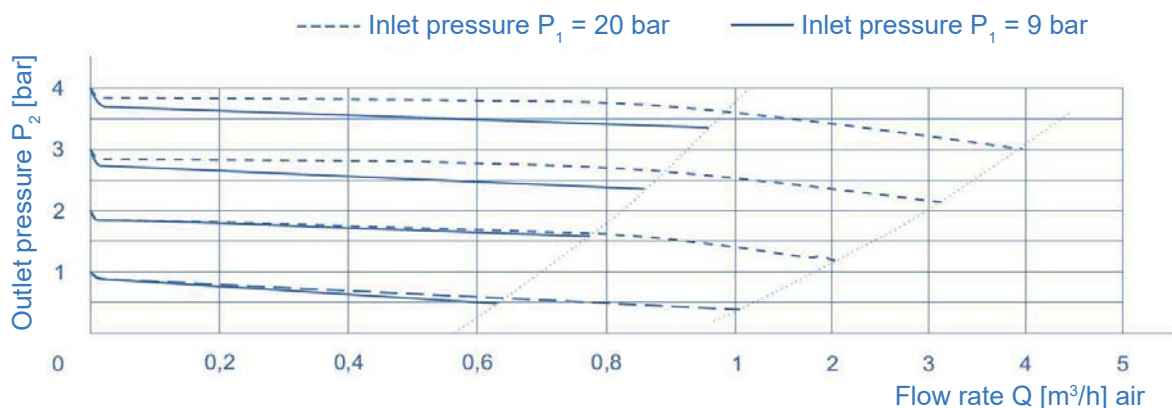
**Temperature range** -20°C to +60°C

**Leak rate (to atmosphere):**  $\leq 10^{-8}$  mbar l/s He  
(via valve seat):  $\leq 10^{-6}$  mbar l/s He

**Weight** 520 g

\* Other valve seat materials such as PVDF upon request

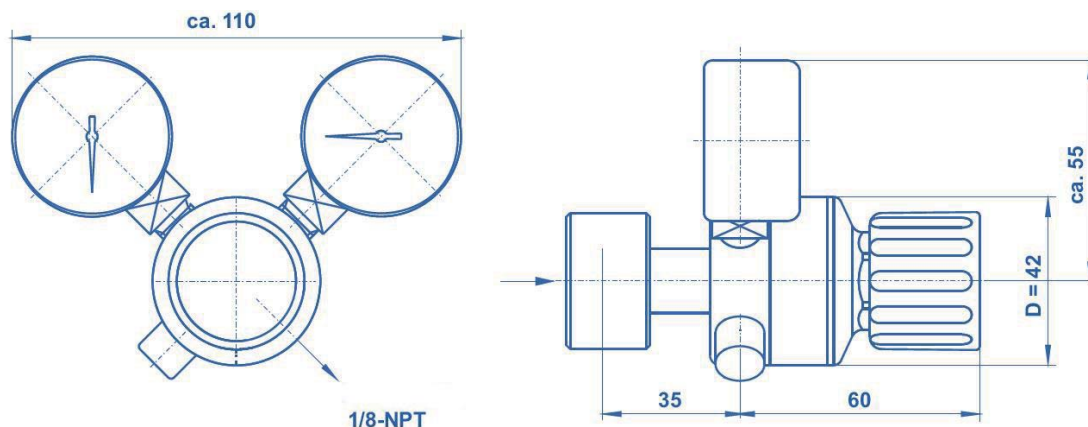
## Flow curves FM45



# Cylinder pressure regulator FM45

spectro lab

## Dimensions FM45



## Ordering information: Pressure regulator FM45

**FM45 - 230 - 4 - DIN1 - H2**

### Inlet pressure $P_1$

**230** max. 230 bar

### Outlet pressure $P_2$

**1,5** max. 1,5 bar

**4** max. 4 bar

**10** max. 10 bar

### Type of gas

Please specify type of gas for selection of sealing materials

### Cylinder connection

Detailed description of the cylinder connection (e.g. BS no. 3)

## Specifications:

- Spectrolab components guarantee maximum quality by using high grade materials and a quality assurance program acc. to ISO 9001.
- All components which come into contact with the medium are cleaned in an ultrasonic cleaning system (CFC-free) with the special cleaning process Spectroclean® and are then baked out.
- Spectrolab components undergo a 100% function- and Helium-leak test.