

Panel / Line regulator E51-2

spectron



Line pressure regulator LE51-2



Example: PE51 panel mounted

Product features

- Single-stage diaphragm line pressure regulator or for panel and panel surface mounting with anti-vibration device
- For corrosive, toxic gases and gas mixtures up to quality 6.0
- 2 ports for flexible and individual configuration
- High control accuracy
- Metal-to-metal seal to atmosphere
- Central filter
- Approved for use with oxygen
- New laboratory-style design
- Suitable for ECD applications
- Pressure regulator can be evacuated

Technical data

Inlet pressure P_1	max. 300 bar
Max. outlet pressure P_2	1,5 / 4 ($P_1 \leq 50$ bar) 10 / 20 / 50 / 100 / 200 bar ($P_1 > 50$ bar)

Materials	
Body:	Stainless steel 1.4404
Diaphragm:	Hastelloy C276
Valve seat:	PVDF
Soft goods:	FKM
Filter:	Stainless steel 1.4404

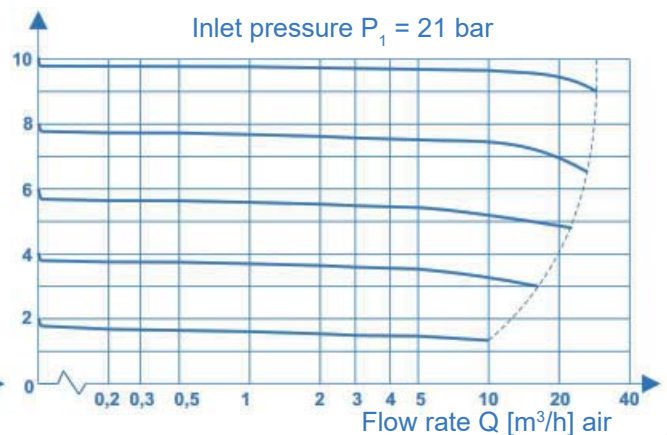
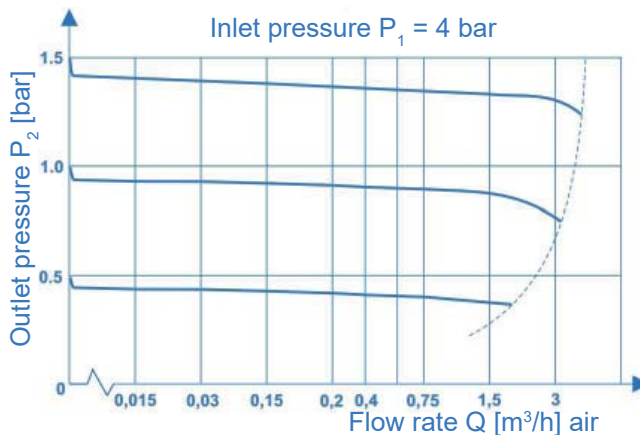
In- / outlets	1/4"-NPT female
----------------------	-----------------

Temperature range	-20°C to +60°C
--------------------------	----------------

Leakrate (to atmosphere):	$\leq 10^{-8}$ mbar l/s He (via seat): $\leq 10^{-6}$ mbar l/s He
----------------------------------	--

C_v-value	0,15
Weight	1,0 kg

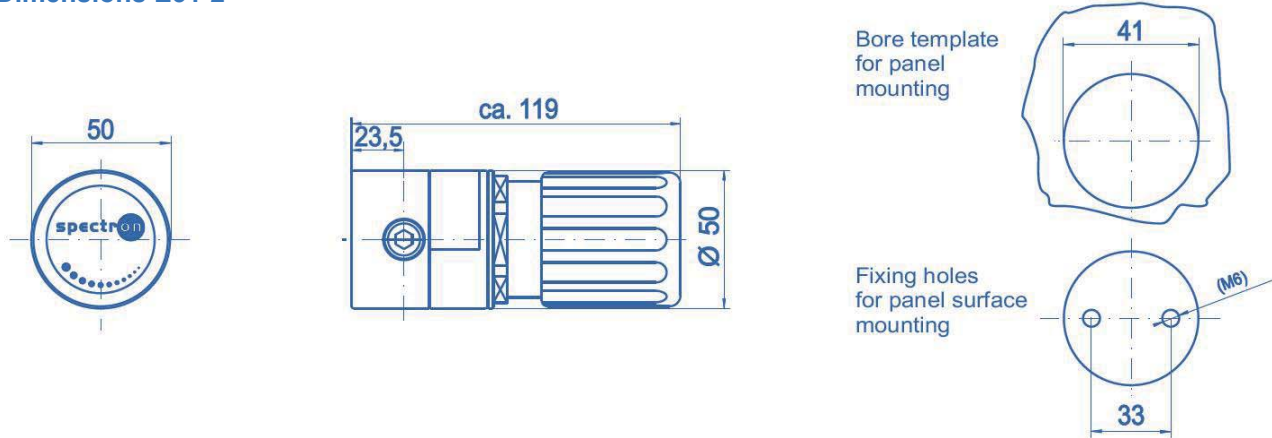
Flow curves E51



Panel / Line regulator E51-2

spectron

Dimensions E51-2

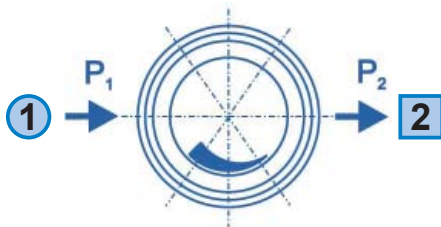


Ordering information:

Pressure regulators E51-2

In- / outlets

CE 1/4	1/8" / 1/4" / 1/2"-compression fitting (stainless steel)
CE 6	3 / 6 / 8 / 10 / 12 mm - compression fitting (stainless steel)
0	1/4"-NPT-F (port only)



Individual port selection

LE51 - 2 - 300 - 20 - 1 - 2 - H2

Type

L	Line regulator
P	Panel regulator

Inlet pressure P₁

10	max. 10 bar
20	max. 20 bar
50	max. 50 bar
100	max. 100 bar
200	max. 200 bar
300	max. 300 bar

Outlet pressure P₂

1,5	max. 1,5 bar (P ₁ ≤ 50 bar)
4	max. 4 bar (P ₁ ≤ 50 bar)
10	max. 10 bar
20	max. 20 bar
50	max. 50 bar
100	max. 100 bar
200	max. 200 bar

Gas type

Please specify gas type!