

Pressure control panles BU13



BU13-1x1



BU13-2x1

Product features

- Pressure control panels for high flow rates
- For non-corrosive technical gases
- Pressure regulator with compensated main valve
- Modular design (to be extended to 1x2, 1x3, 2x2, 2x3 etc. cylinders)
- Central filter in the regulator
- Regulator with high control accuracy and integrated relief valve
- Shut-off valves with On/Off-position indicators
- Process gas and purge valve in the inlet
- Safety pressure gauges acc. to DIN-EN-ISO 5171
- Designed for easy installation
- Approved for use with oxygen
- Suitable for inlet pressure values of up to 300 bar
- Single-sided and double-sided models available
- Automatic switch-over models please refer to data sheet BU13&15-2U

Technical data

Type	single-stage with compensated main valve
Inlet pressure P_1	max. 300 bar
Outlet pressure P_2	max. 10 / 20 / 35 bar oxygen: max. 30 bar
Materials	
Body:	brass
Bonnet:	aluminium, coated
Diaphragm regulator:	NBR
Valve seat regulator:	PA
Filter process gas valve:	sintered bronze
Filter regulator:	Nickel
Connecting pipes:	stainless steel 1.4404
Connectors	
Inlets:	G 1/2" male
Outlet relief valve:	G 3/8" male
Outlet:	1/2"-NPT female
Temperature range	-20°C to +60°C
Leak rate	$\leq 10^{-4}$ mbar l/s He
Weight	
BU13-1x1/1x2/1x3:	6,5 / 7,6 / 8,7 kg
BU13-2x1/2x2/2x3:	8,1 / 10,3 / 12,5 kg

Flow rates Q [m³/h] nitrogen

The table below provides approximate values for the flow rate in standard cubic meters of nitrogen at the indicated operating conditions. The flow rates for other gas types may be estimated using the conversion factors from the table on the right.

For detailed flow rate calculations please refer to our data sheet "Performance diagram".

The values refer to a gas supply from just one side!

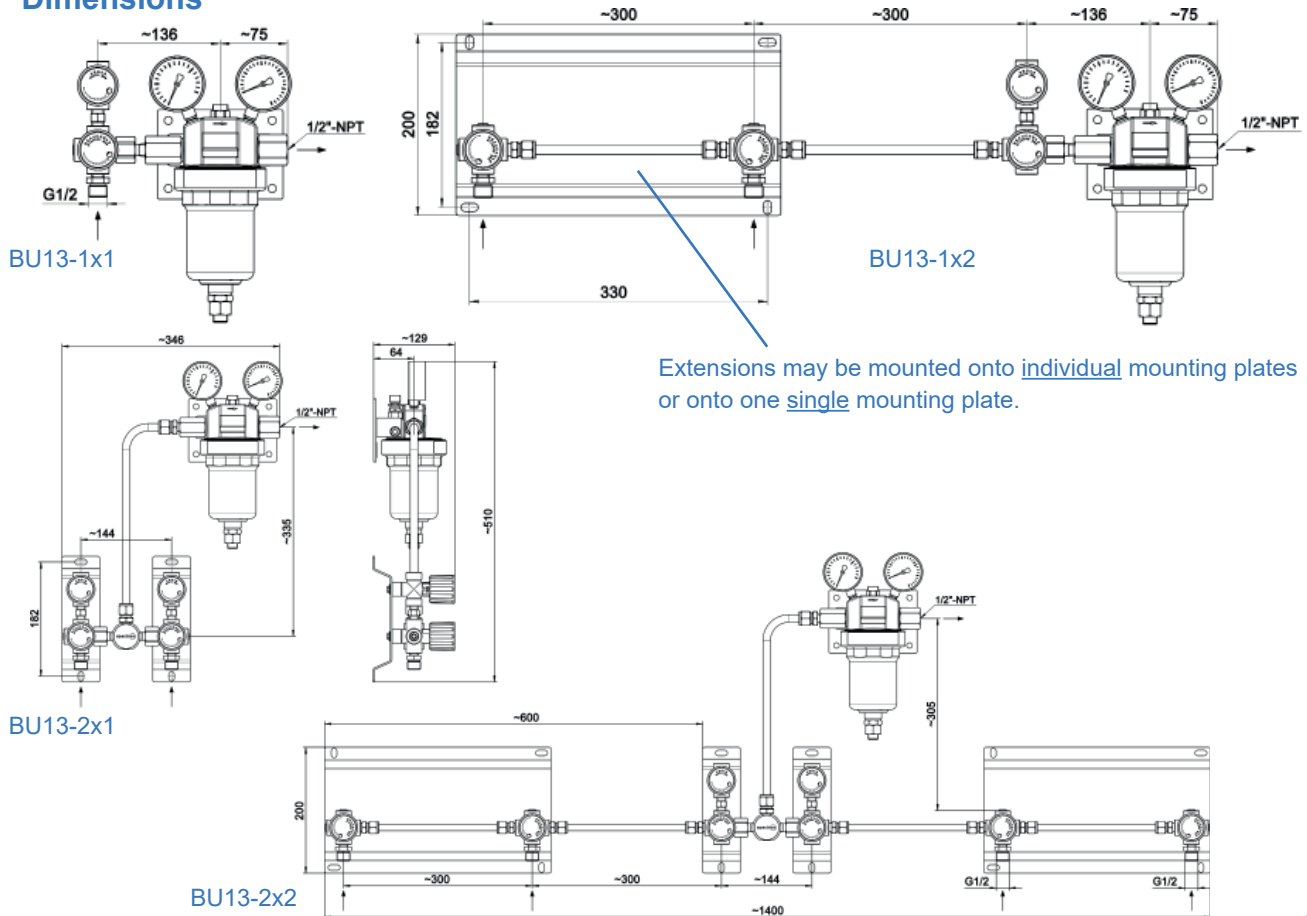
BU13	P_2 [bar]					
	P_1 [bar]	5	10	20	30	35
60		150	270	310	315	315
40		135	200	205	210	210
20		88	95	-	-	-
10		46	-	-	-	-

Conversion factors

Gas type	Factor
Argon	0,83
Helium	2,64
Carbon dioxide	0,79
Air	0,98
Oxygen	0,93
Hydrogen	3,71

Performance factor $L_{10} = 7$

Dimensions



Ordering information: pressure control panels BU13

BU13 - 2x2 - 10 - M - N2

Type

- 1x1** single-sided 1x1 cylinder / bundle control panel
- 1xn** single-sided 1xn cylinder / bundle control panel
1x1 panel with n extensions*
- 2x1** double-sided 2x1 cylinder / bundle control panel
- 2xn** double-sided 2x1 cylinder / bundle control panel
2x1 panel with n extensions*

Outlet pressure P_2

- 10** max. 10 bar
- 20** max. 20 bar
- 30** max. 30 bar
- 35** max. 35 bar (only for non flammable gases)

Gas type

Please specify the gas type with your order!

Inlet pressure indication

- M** pressure gauge
- K** contact pressure gauge

* For n-cylinder panels the block valves on the regulator panel are used as central shut-off valves.

Therefore one extension per cylinder/bundle is required. Example 2x2: 2 extension panels with 2 extensions each