

Pressure control panel BU13AC



BU13AC-1x1-0-ASG-M-0-F4-KH1

Product features

- Acetylene pressure control panel for high flow rates
- Designed for easy installation
- Single-stage system, modular design (to be extended to 1x2, 1x3, 2x1, 2x2, 2x3 etc. cylinders / bundles)
- Pressure regulator with high control accuracy
- Pressure control panels comply with DIN-EN-ISO 14114** and DIN-EN-ISO 15615
- Optionally with the following tested safety devices:
 - quick acting shut-off valve (manual)
 - flashback arrestor
 - over-pressure valve ***
 - automatic quick acting shut-off device (SSE)
 - Acetylene Safety Guard (ASG)

For further information: see data sheet ASG

Attention:

Acetylene withdrawal systems may need to be certified before commissioning. Always refer to the local rules and regulations regarding such certifications.

Technical data

Type	single-stage
Inlet pressure P₁	max. 25 bar
Outlet pressure P₂	max. 1,5 or 2,5* bar

Materials

Body regulator:	brass
Diaphragm regulator:	EPDM
Valve seat regulator:	PA
Mounting plate:	stainless steel
Ball valve:	steel, zinc plated
Connecting pipe:	steel, zinc plated

Connectors

Inlets:	G 3/4"-LH male
Outlet flashback arrestor:	G 1" female
Outlet over-pressure valve:	welding stub 14x2
Outlet KH1:	G 1" female

Temperature range	-20°C to +60°C
--------------------------	----------------

Leak rate	≤10 ⁻⁴ mbar l/s He
------------------	-------------------------------

Weight

BU13AC-1x1:	9,6 kg
2x1 extension:	5,9 kg
Single extension:	1,1 kg

* upon request

** This applies under the following conditions:
SSE or ASG in the inlet and main shut-off valve in the outlet

*** An over-pressure valve is not considered to be a safety accessory according to the Pressure Equipment Directive 2014/68/EC (PED).

Flow rates Q [m³/h] Acetylene

The withdrawal rate should not exceed approx. **0.5 Nm³/h per cylinder** in permanent operation, so no solvent from the cylinder will enter the withdrawal system. However, the flow rate may be increased to approx. 1 m³/h for brief peak loads.

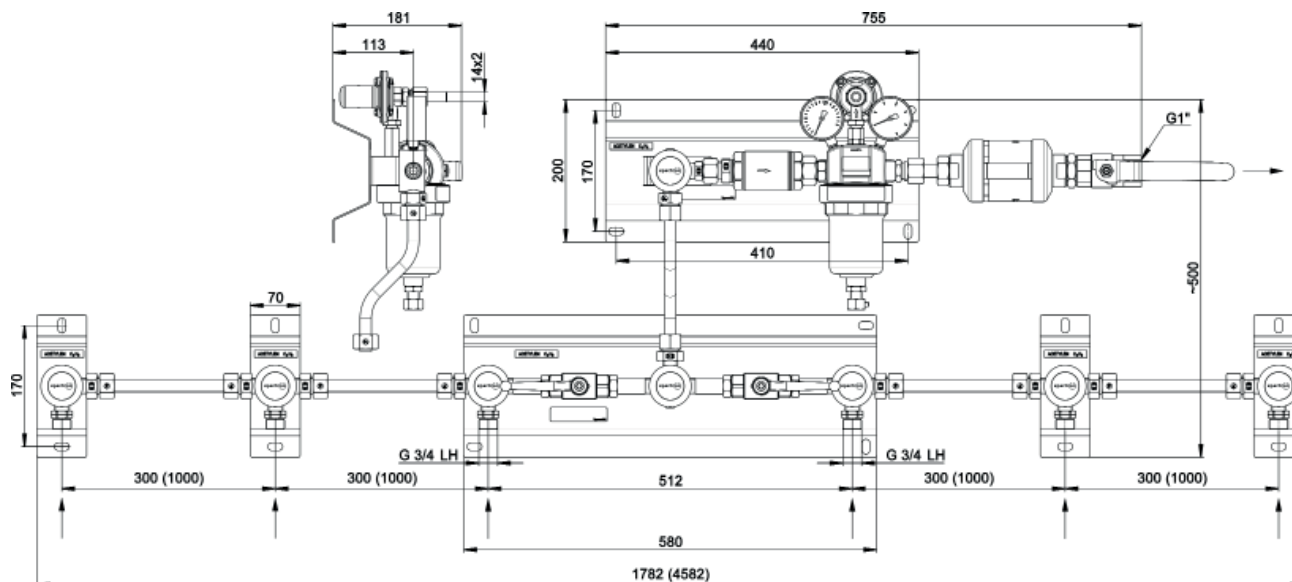
P ₁ [bar]	SSE	
	P ₂ [bar]	Q [m ³ /h]
18	0,93	20
10	1,14	20
7	1,20	20
4	1,22	20

Performance factor L₁₀ = 5,5

Pressure control panel BU13AC

spectro**tec**

Dimensions and connectors BU13AC-0-SSE-M-SV-F4-KH1 for 2x3 cylinders (extensions for bundles available)



Ordering information: Pressure control panel BU13AC

BU13AC - 0 - SSE - M - SV - F4 - KH1

Individual shut-off

- 0 without individual valves
- V with additional ball valve for each individual cylinder

Quick acting shut-off**

- KH manual quick acting shut-off device (ball valve)
- SSE automatic quick acting shut-off device
- ASG Acetylene Safety Guard

Inlet press. indication

- M pressure gauge
- K contact pressure gauge
- PT contact pressure gauge

Main shut-off valve (outlet)**

- 0 without valve in the outlet
- KH1 1"-ball valve in the outlet

Flashback arrestor

- 0 without flashback arrestor
- F4 with flashback arrestor

Over-pressure valve

- 0 without over-pressure valve
- SV with over-pressure valve SV73 (not necessary with ASG)