

Video of application



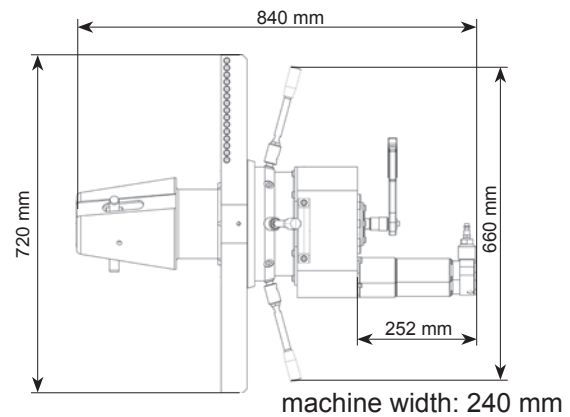
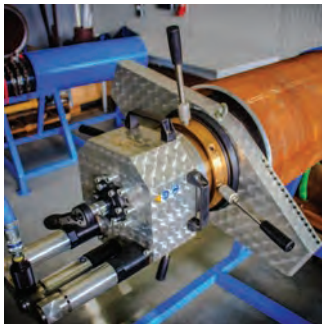
## Pipe beveling machine MF6i-50

Working range ID-OD: 280 - 711 mm

This MF6i-50 can be used to machine and prepare edges on tubes, branches and headers. It is used to process pipe walls, pipe cutting or for chamfering of welds at steam bloc vessels. The machine is equipped with three air motors or two hydraulics motors. The clamping device of the machine is regulated by a ratchet and the feed device by star handle.



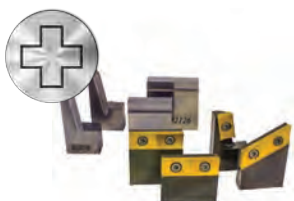
### Dimensions



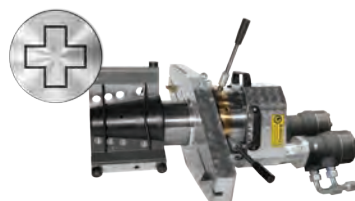
### Specifications

Specifications MF6i-50			Pneumatic Motor		
Clamping range ID-ID	280 - 700 mm	11,024 - 27,559"	Power	2.550 W	3,6 HP
Working range ID-OD	280 - 711 mm	11,024 - 27,992"	Luftdruck	6 bar	87 psi
Max. wall-thickness	36 mm	1,181"	Air consumption	2,88 m <sup>3</sup> /min	101,7 cfm
Feed	50 mm	1,968"	Air hose connection	1/4"	1/4"
Weight with hydraulic motor	79 kg	174,2 lb	Features	speed control	
Weight with pneumatic motor	79 kg	174,2 lb	Hydraulic Motor		
Weld prep	facing, V-prep, J-prep, counter boring		Power	8.000 W	10,7 HP
Materials	Stahl, Edelstahl, Duplex, Legierungsstahl		Air pressure	140 bar	2030 psi
Tooling	steel, stainless steel, duplex, high alloyed		Ölfluss	50 l/ min	
Machine body	Aluminium alloy				

### Accessories & additional options



Tools for MF6i-50 from page 48



Hydraulic driven machine