

Video of application



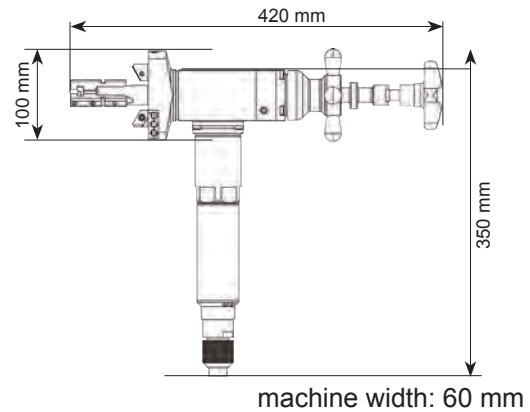
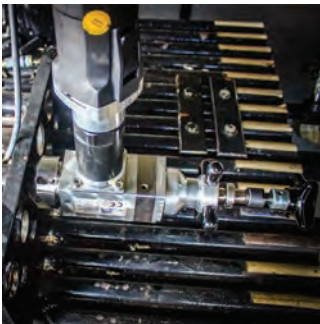
Pipe beveling machine MF3iw

Working range ID-OD: 25 - 114,3 mm

The MF3iw is used for pipe edge preparation, branches and headers. The machine is used for steam bloc vessels to process pipe walls, to cut out pipes or to chamfer welds. MF3iw can optionally be equipped with an air or an electric motor that arranged in 90° to the sleeve.



Dimensions



Specifications

| Specifications MF3iw | | | Pneumatic Motor | | |
|-----------------------------|--|----------------|---------------------|---|----------|
| Clamping range ID-ID | 25 - 96 mm | 0,984 - 3,779" | Power | 850 W | 1,2 HP |
| Working range ID-OD | 25 - 114,3 mm | 0,984 - 4,488" | Air pressure | 6 bar | 87 psi |
| Max. wall-thickness | 15 mm | 0,590" | Air consumption | 0,96 m ³ /min | 33,9 cfm |
| Feed | 20 mm | 0,787" | Air hose connection | 1/4" | 1/4" |
| Weight with electric motor | 7,0 kg | 15,4 lb | Features | speed control | |
| Weight with pneumatic motor | 5,8 kg | 12,8 lb | Electric Motor | | |
| Weld prep | facing, V-prep, J-prep, counter boring | | Power consumption | 1.500 W (110V/230V) | 2,0 HP |
| Materials | steel, stainless steel, duplex, high alloyed | | Features | restart and overload protection, speed adjustment, torque control | |
| Tooling | tool bits, TiN inserts, custom bits | | | | |
| Machine body | Aluminium alloy | | | | |

Accessories & additional options



Tools for MF3iw from page 48



Tooling for heat exchanger repair



Push lever for fast feeding



Enlargement XL to cover range ID 16 - 96 mm (0,629 - 3,779 inch)