

Video of application



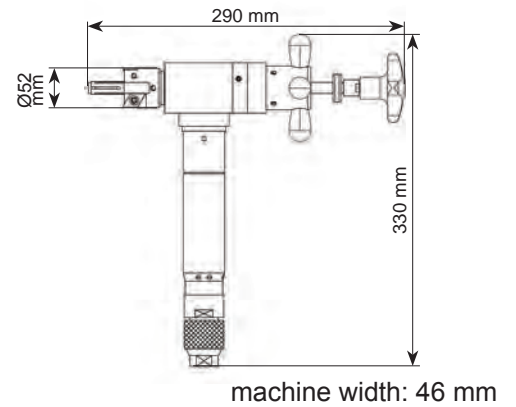
## Pipe beveling machine MF2iw

Working range ID-OD: 11 - 28 mm

The portable MF2iw is used for weld preparation of tube ends, branches and headers. It is used for steam bloc vessels to process pipe walls, to cut out pipes or to chamfer welds. MF2iw is equipped with a compressed air motor that arranged in 90° to the sleeve. The clamping is controlled by switching the lever star wheel, the feed by turning the star handle.



### Dimensions



### Specifications

Specifications MF2iw			Pneumatic Motor		
Clamping range ID-ID	11 - 22 mm	0,433 - 0,866"	Power	370 W	0,5 HP
Working range ID-OD	11 - 28 mm	0,433 - 1,102"	Air pressure	6 bar	87 psi
Max. wall-thickness	3 mm	0,118"	Air consumption	0,60 m <sup>3</sup> /min	21,2 cfm
Feed	20 mm	0,787"	Air hose connection	1/4"	1/4"
Weight with pneumatic motor	2,7 kg	6,0 lb	Features	speed control	
Weld prep	facing, V-prep,				
Materials	steel, stainless steel, duplex, high alloyed				
Tooling	tool bits, TiN inserts, custom bits				
Machine body	Aluminium alloy				

### Accessories & additional options



Tools for MF2iw  
from page 48