

# EXACT PIPECUT P1000

## FOR PE AND CORRUGATED PIPES

**NOVELTY**

Easy cutting of thick-walled PE pipes



## Exact PipeCut P1000

Cutting of any plastic pipes -  
even PE & corrugated pipes

Clean cut, no rework

- Cutting range OD: 60 - 1.000 mm
- Max. wall thickness: 75 mm plastics
- One saw for many pipe sizes
- Ergonomic and safe working
- Light, handy and yet powerful
- Portable, flexibility on-site
- Extremely fast pipe separation

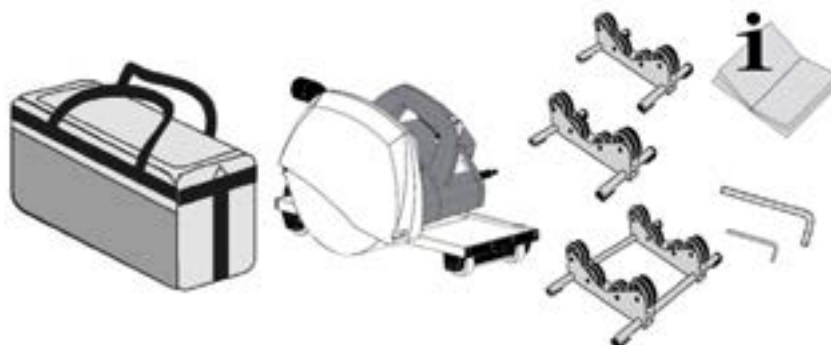


With the brand new pipe saw type P1000, pipes with an outside diameter of up to 1,000 mm can be cut within a very short time. The saw offers a perfect cut quality free of any rework. Thick-walled pipes with a maximum wall thickness of 75 mm can be cut effortlessly. An optionally available special attachment enables the separation of corrugated pipes.



### Scope of delivery:

- Exact PipeCut P1000 (Item-No. RG300090)
- Shoulder Bag
- Pipe supports, 1 pc double, 2 pcs single
- Operating instructions
- Allen keys, 5 mm und 2 mm
- TCT saw blade P190 (mounted)



### Additional accessories & saw blades:

- Special equipment for cutting of corrugated pipes (Item-No. RG300089)
- TCT saw blade P165 - max. wall thickness 32 mm (Item-No. RG300042)
- TCT saw blade P180 - max. wall thickness 40 mm (Item-No. RG300067)
- TCT saw blade P190 - max. wall thickness 45 mm (Item-No. RG300091)
- TCT saw blade P250 - max. wall thickness 75 mm (Item-No. RG300092)

Voltage / Power	230V = 1.600W
No-Load speed	I = 1.900 r/min, II = 2.885 r/min
Blade diameter	165 mm (6.5"), 180 mm (7.2"), 190 mm (7.6"), 250 mm (9.8")
Mounting bore	62 mm ( 2,44")
Weight	11,5 kg (25 lbs)
Pipe diameter OD	60 mm – 1000 mm (2.3"–39.4")
Max. wall thickness	75 mm plastics
Electronical unit	Blade speed preselection, automatic fuse, soft start, speed control