

## ■ WA-1500 SAW | SUBMERGED ARC WELDING SYSTEM

Automatic longitudinal top quality SAW welding of long structural Box beams and H, I, T.  
Single or multi-pass automatic fillet/butt welding with mechanical-electro joint tracking system.  
Significantly efficient production with improved weld quality.

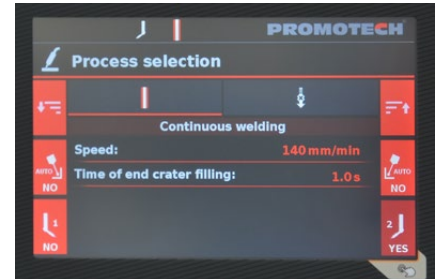


### ■ Features and benefits:

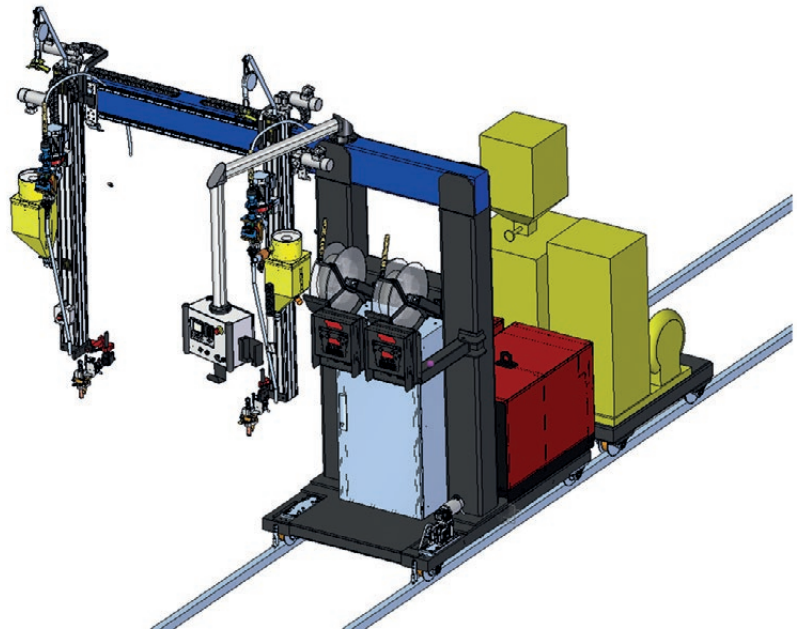
- automatic fillet and butt welding with joint tracking
- multi-pass welding
- one-man operation
- reduction of costly over-welding and decrease of filler metal usage
- minimized welding defects and grinding
- reduced non-productive time
- ergonomic machine control with user friendly multiple language interface
- double-sided SAW welding
- 2 supports with 2 welding heads
- increased work safety

## TECHNICAL SPECIFICATIONS FOR GWS TYPE WA1500 SAW

Length of track / welding	13 m / 10 m Customized length upon request
Max workpiece height	1.5 m (60")
Max welding speed	Up to 1 m/min.
Possibility to implement additional functionality e.g. welding length, intermittent welds	YES
Max. welding current	700 A
Possibility of changing welding parameters during welding process "on the fly"	Option
Basic flux recovery system	Yes
Advanced flux recovery system	Upon request



- Working range: height 1500 mm; width 1500 mm outside
- Welding equipment: SAW
- Welding parameters (limits): max. current 700A; wire up to 4.0 mm
- Wire source: 20-30 kg spools (default) or 100 kg drums
- Tracks: adhesion traction
- Standard platform trolley: for welding sources
- Auxiliary platform trolley: for optional components (e.g. advanced flux recovery system and/or wire drums)
- Column beam position: on the left or right side depending on customer's preference



More information available at [www.promotech.eu](http://www.promotech.eu)



Mitglied im DVS - Deutscher Verband für Schweißen und verwandte Verfahren e. V.



All information is subject to change without notice. 20.12



PROMOTECH Sp. z o.o.  
ul. Elewatorska 23/1, 15-620 BIAŁYSTOK, POLAND  
tel. (+48 85) 678 34 05, fax (+48 85) 662 78 77  
marketing@promotech.eu www.promotech.eu

Your local dealer:

