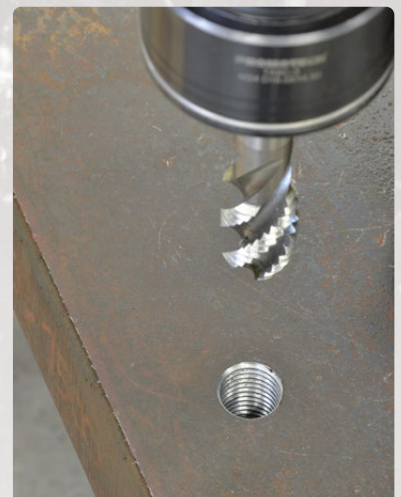


TAPPING ACCESSORIES FOR DRILLING MACHINES

Promotech introduces quick change tapping system including wide range of accessories:



- TC - Tapping Chucks MT2, MT3, MT4 featuring securing nut (8 models altogether)
Our tapping chucks are compatible with various drilling machines. We however recommend using the tapping chucks with Promotech brand drills PRO-52T, PRO-112T and PRO-132T to fully benefit from tightened securing nut.
- TA - Tapping Adapters without safety clutch for tapping tools size M3 up to M42 for through holes (26 models altogether)
- TASC - Tapping Adapters with Safety Clutch for tapping tools size M3 up to M42 for blind holes (26 models altogether)
- RA - Reduction Adapters to extend the scope of tapping tools for use with particular tapping chucks (5 models altogether)



Promotech's tapping accessories at a glance

TC - Tapping chucks Product Code		Tapping Adapters both TA & TASC types (applicable for metric and imperial)			
		19 mm [1]	31 mm [2]	48 mm [3]	60 mm [4]
MT2	OPR-0584-06-00-00-1	●	N/A	N/A	N/A
	OPR-0584-10-00-00-1	only with RDC-000008	●	N/A	N/A
MT3	OPR-0584-11-00-00-1	●	N/A	N/A	N/A
	OPR-0584-08-00-00-1	only with RDC-000008	●	N/A	N/A
	OPR-0584-02-00-00-1	only with RDC-000009	only with RDC-000010	●	N/A
MT4	OPR-0584-09-00-00-1	only with RDC-000008	●	N/A	N/A
	OPR-0584-04-00-00-1	only with RDC-000009	only with RDC-000010	●	N/A
	OPR-0584-07-00-00-1	N/A	only with RDC-000011	only with RDC-000012	●

TC - Tapping chucks with securing nuts



Tapping chuck feat. securing nut

Product Code	Type	Description
OPR-0584-06-00-00-1	MT2-19	Tapping chuck MT2 x 19 mm
OPR-0584-10-00-00-1	MT2-31	Tapping chuck MT2 x 31 mm
OPR-0584-11-00-00-1	MT3-19	Tapping chuck MT3 x 19 mm
OPR-0584-08-00-00-1	MT3-31	Tapping chuck MT3 x 31 mm
OPR-0584-02-00-00-1	MT3-48	Tapping chuck MT3 x 48 mm
OPR-0584-09-00-00-1	MT4-31	Tapping chuck MT4 x 31 mm
OPR-0584-04-00-00-1	MT4-48	Tapping chuck MT4 x 48 mm
OPR-0584-07-00-00-1	MT4-60	Tapping chuck MT4 x 60 mm



Shipping set of tapping chuck incl. HD-CUT OIL1

RA - Reduction Adapters

Product Code	Type	Description
RDC-000008	RA 2/1	Reduction Adapter 2/1 (31 mm / 19 mm)
RDC-000009	RA 3/1	Reduction Adapter 3/1 (48 mm / 19 mm)
RDC-000010	RA 3/2	Reduction Adapter 3/2 (48 mm / 31 mm)
RDC-000011	RA 4/2	Reduction Adapter 4/2 (60 mm / 31 mm)
RDC-000012	RA 4/3	Reduction Adapter 4/3 (60 mm / 48 mm)



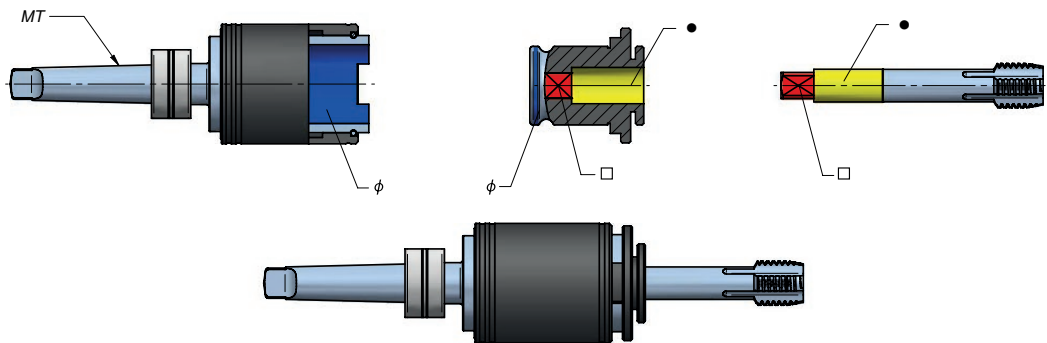
Through hole tapping



Tapping chuck - TC

Tapping adapter - TA

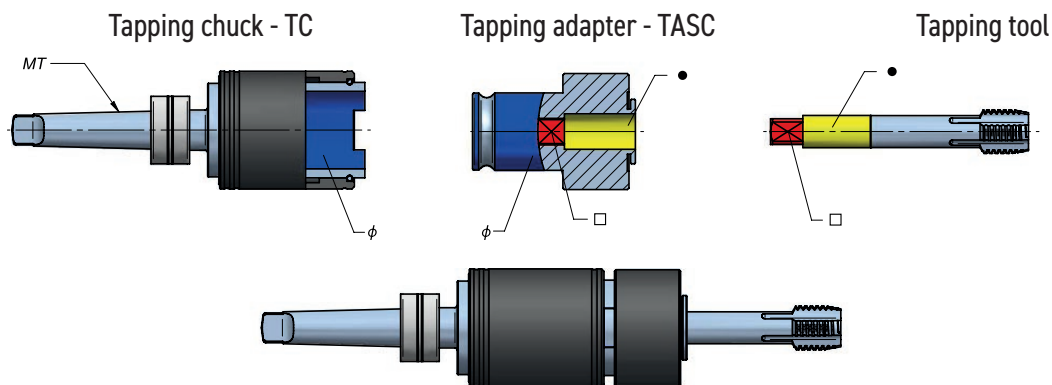
Tapping tool



TA - Tapping adapters

Product Code	Type	Description	∅ [mm]	Tap size	● [mm]	□ [mm]
WKL-000066	TA-1	Tapping Adapter 19 mm x M3	19	M3	3,5	2,7
WKL-000067	TA-1	Tapping Adapter 19 mm x M4	19	M4	4,5	3,4
WKL-000068	TA-1	Tapping Adapter 19 mm x M5/M6	19	M5/M6	6	4,9
WKL-000069	TA-1	Tapping Adapter 19 mm x M8	19	M8	8	6,2
WKL-000070	TA-1	Tapping Adapter 19 mm x M10	19	M10	10	8
WKL-000071	TA-1	Tapping Adapter 19 mm x M12	19	M12	9	7
WKL-000072	TA-2	Tapping Adapter 31 mm x M8	31	M8	8	6,2
WKL-000073	TA-2	Tapping Adapter 31 mm x M10	31	M10	10	8
WKL-000074	TA-2	Tapping Adapter 31 mm x M12	31	M12	9	7
WKL-000075	TA-2	Tapping Adapter 31 mm x M14	31	M14	11	9
WKL-000076	TA-2	Tapping Adapter 31 mm x M16	31	M16	12	9
WKL-000077	TA-2	Tapping Adapter 31 mm x M18	31	M18	14	11
WKL-000078	TA-2	Tapping Adapter 31 mm x M20	31	M20	16	12
WKL-000079	TA-3	Tapping Adapter 48 mm x M14	48	M14	11	9
WKL-000080	TA-3	Tapping Adapter 48 mm x M16	48	M16	12	9
WKL-000081	TA-3	Tapping Adapter 48 mm x M18	48	M18	14	11
WKL-000082	TA-3	Tapping Adapter 48 mm x M20	48	M20	16	12
WKL-000083	TA-3	Tapping Adapter 48 mm x M22/M24	48	M22, M24	18	14,5
WKL-000084	TA-3	Tapping Adapter 48 mm x M27	48	M27	20	16
WKL-000085	TA-3	Tapping Adapter 48 mm x M30	48	M30	22	18
WKL-000086	TA-4	Tapping Adapter 60 mm x M24	60	M24	18	14,5
WKL-000087	TA-4	Tapping Adapter 60 mm x M27	60	M27	20	16
WKL-000088	TA-4	Tapping Adapter 60 mm x M30	60	M30	22	18
WKL-000089	TA-4	Tapping Adapter 60 mm x M33	60	M33	25	20
WKL-000090	TA-4	Tapping Adapter 60 mm x M36	60	M36	28	22
WKL-000091	TA-4	Tapping Adapter 60 mm x M42	60	M42	32	24

Tapping blind holes



TASC – Tapping Adapters with Safety Clutch

Product Code	Type	Description	∅ [mm]	Tap size	● [mm]	□ [mm]
WKL-000092	TASC-1	Tapping Adapter with Safety Clutch 19 mm x M3	19	M3	3,5	2,7
WKL-000093	TASC-1	Tapping Adapter with Safety Clutch 19 mm x M4	19	M4	4,5	3,4
WKL-000094	TASC-1	Tapping Adapter with Safety Clutch 19 mm x M5/M6	19	M5/M6	6	4,9
WKL-000095	TASC-1	Tapping Adapter with Safety Clutch 19 mm x M8	19	M8	8	6,2
WKL-000098	TASC-1	Tapping Adapter with Safety Clutch 19 mm x M10	19	M10	10	8
WKL-000099	TASC-1	Tapping Adapter with Safety Clutch 19 mm x M12	19	M12	9	7
WKL-000100	TASC-2	Tapping Adapter with Safety Clutch 31 mm x M8	31	M8	8	6,2
WKL-000101	TASC-2	Tapping Adapter with Safety Clutch 31 mm x M10	31	M10	10	8
WKL-000102	TASC-2	Tapping Adapter with Safety Clutch 31 mm x M12	31	M12	9	7
WKL-000103	TASC-2	Tapping Adapter with Safety Clutch 31 mm x M14	31	M14	11	9
WKL-000104	TASC-2	Tapping Adapter with Safety Clutch 31 mm x M16	31	M16	12	9
WKL-000105	TASC-2	Tapping Adapter with Safety Clutch 31 mm x M18	31	M18	14	11
WKL-000106	TASC-2	Tapping Adapter with Safety Clutch 31 mm x M20	31	M20	16	12
WKL-000107	TASC-3	Tapping Adapter with Safety Clutch 48 mm x M14	48	M14	11	9
WKL-000108	TASC-3	Tapping Adapter with Safety Clutch 48 mm x M16	48	M16	12	9
WKL-000109	TASC-3	Tapping Adapter with Safety Clutch 48 mm x M18	48	M18	14	11
WKL-000110	TASC-3	Tapping Adapter with Safety Clutch 48 mm x M20	48	M20	16	12
WKL-000111	TASC-3	Tapping Adapter with Safety Clutch 48 mm x M22/M24	48	M22, M24	18	14,5
WKL-000112	TASC-3	Tapping Adapter with Safety Clutch 48 mm x M27	48	M27	20	16
WKL-000113	TASC-3	Tapping Adapter with Safety Clutch 48 mm x M30	48	M30	22	18
WKL-000114	TASC-4	Tapping Adapter with Safety Clutch 60 mm x M24	60	M24	18	14,5
WKL-000115	TASC-4	Tapping Adapter with Safety Clutch 60 mm x M27	60	M27	20	16
WKL-000116	TASC-4	Tapping Adapter with Safety Clutch 60 mm x M30	60	M30	22	18
WKL-000117	TASC-4	Tapping Adapter with Safety Clutch 60 mm x M33	60	M33	25	20
WKL-000118	TASC-4	Tapping Adapter with Safety Clutch 60 mm x M36	60	M36	28	22
WKL-000119	TASC-4	Tapping Adapter with Safety Clutch 60 mm x M42	60	M42	32	24

All information is subject to change without notice. 20.04



PROMOTECH Sp. z o.o.
ul. Elewatorska 23/1, 15-620 BIAŁYSTOK, POLAND
tel. (+48 85) 678 34 05, fax (+48 85) 662 78 77
marketing@promotech.eu www.promotech.eu

Your local dealer:

