



MESSER 
Cutting Systems

MULTITHERM® VERSATILE AND EFFICIENT

MULTITHERM®

VERSATILE AND EFFICIENT WHERE ONLY TOP QUALITY AND PRODUCTIVITY WILL SUFFICE



The modern CNC control Global Control can travel on the machine or be free-standing.



Plasma bevel cuts can be made quickly and easily with the Skew Delta.



Fibre laser cutting head for precision bevel and vertical cuts.



Stylus marker OmniScript
Engraves characters, lines
the part quickly and perm

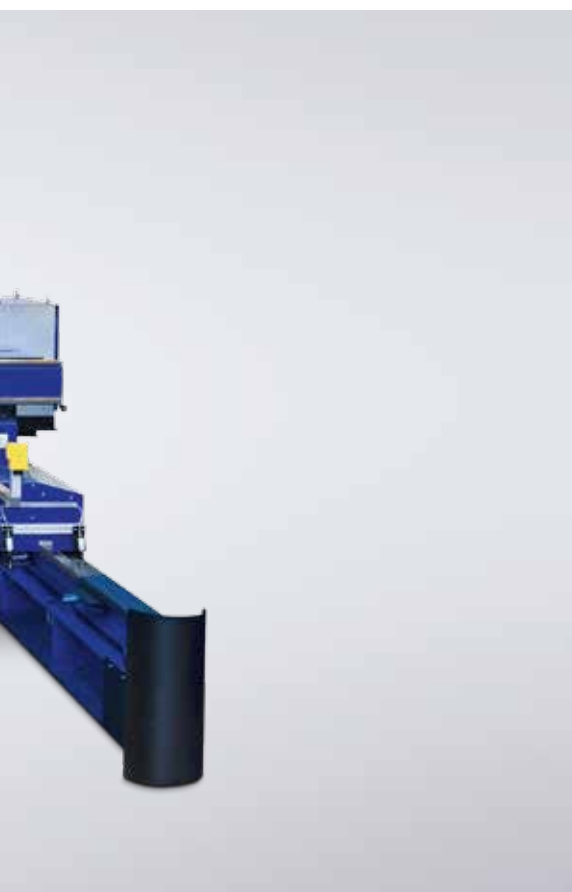




...
s and points onto
anently.



The drill with multiple tool changer produces accurate holes and even taps threads.



MULTITHERM® THE BENEFITS

- High quality and performance
- Flexible application through a wide range of options
- Backlash-free pinion engagement ensures high productivity and accuracy
- Lightweight design for high cutting speeds and acceleration
- Fast torch lifters reduce unproductive positioning times
- Low maintenance design for long years of reliable performance
- Up to 6 torches for high productivity
- Combination of processes (e. g. laser, marking or even plasma for economical outer contours possible on one part)
- Messer Hole Technology for accurate inner contours
- Powerful drives allow positioning speeds up to 50 m/min
- Also available with heat shield for heavy plate cutting (up to 250 mm standard, 600 mm with special torches)
- User-friendly CNC control Global Control for quick and easy set-up

... and many more.

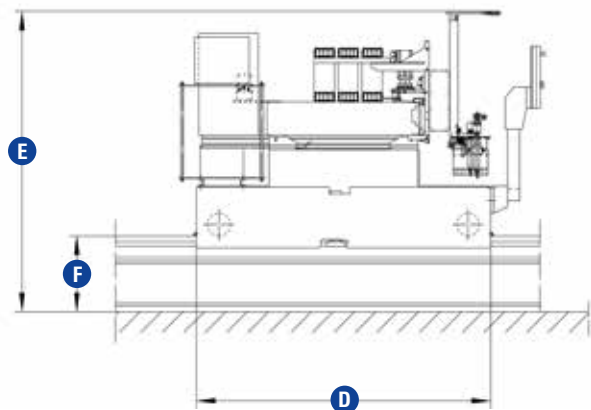
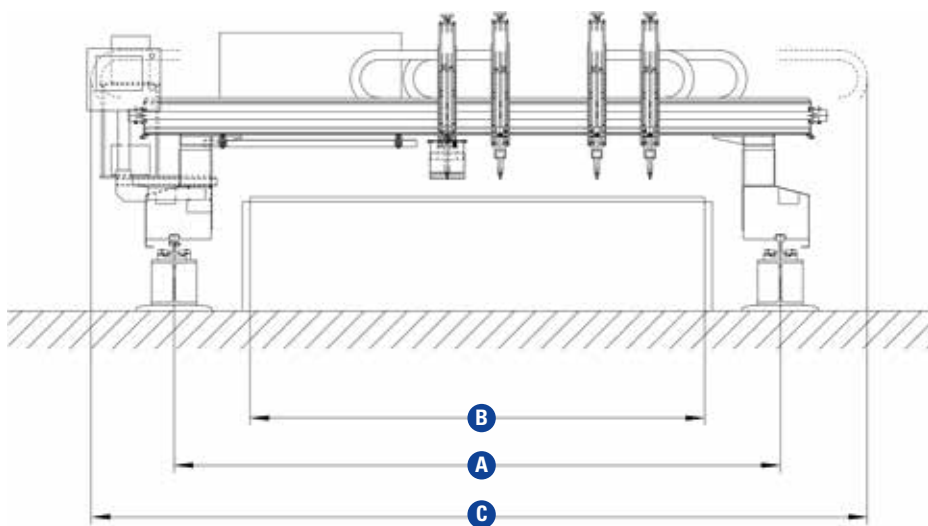
MULTITHERM®

Technical Data (dimensions in mm)

A Track Gauge	2600	3100	3600	4000	4600	5000
B Working Width*	1500	2000	2500	3000	3500	4000
C Overall Width**	4070	4070	5070	5070	6070	6070
D Length	1940	1940	1940	1940	1940	1940
E Height**	1980	1980	1980	1980	1980	1980
F Track Height**	500	500	500	500	500	500

* Working widths apply for machines equipped with vertical torch units and with one tool per plate. When equipped with multiple tools, the working width is reduced accordingly.

** The total width and height depend upon equipment fitted and may vary from the above figures.



Messer Cutting Systems GmbH
 Otto-Hahn-Strasse 2-4
 64823 Groß-Umstadt
 Germany
 Tel. +49 (0) 6078 787-0
 Fax +49 (0) 6078 787-150
 info@messer-cs.de
 www.messer-cs.de